

TC3020

PARTSLIST



DIRECT DRIVE
PROGRAMMABLE ELECTRONIC PATTERN SEWER



TYPICAL

型号牌的读解法



1: 厚布料

Description of model plate



1: Heavy-weight materials

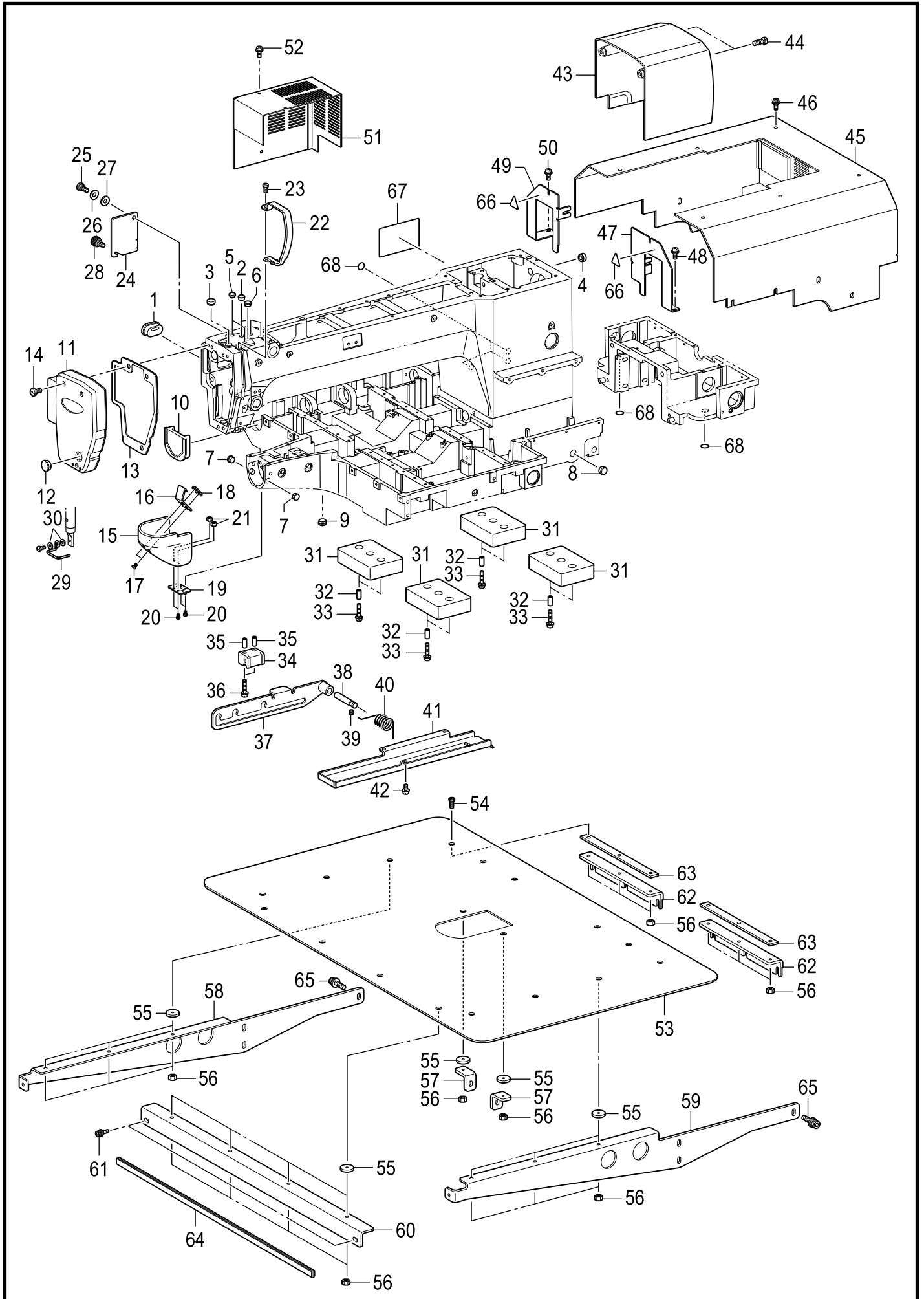
目 录

A1. 机体部分	1
A2. 机体部分	5
B. 上轴·针杆装置	7
C1. 送料装置	9
C2. 送料装置	11
C3. 送料装置	13
D1. 拾压装置	15
D2. 拾压装置	17
E. 下轴装置	19
F. 供油润滑装置	21
G. 穿线装置	25
H. 卷线装置	27
J. 切线装置	29
K. 扫线装置	33
L. 松线装置	35
M1. 控制箱装置	37
M2. 控制箱装置（电源马达基板）	39
N. 开关装置	41
P. 空压装置	43
Q. 电气部品装置	45
R. 操作盘装置	47
S. 马达装置	49
T. 踏板开关关系	51
U. 动力台	53
V. 编程装置	55
W1. 附属装置(选购件)	57
W2. 附属装置(选购件)	59
W3. 附属装置(选购件)	61
W4. 附属装置(选购件)	63
W5. 附属装置(选购件)	65
Z. 附件	67
Wa. 警告标签	69
Ap. 不同用途零部件一览表	70
Ga. 工模具一览表	72
索引	73

CONTENTS

A1. Machine body	1
A2. Machine body	5
B. Upper shaft and needle bar mechanism	7
C1. Feed mechanism	9
C2. Feed mechanism	11
C3. Feed mechanism	13
D1. Work clamp lifter mechanism	15
D2. Work clamp lifter mechanism	17
E. Lower shaft mechanism	19
F. Lubrication	21
G. Threading mechanism	25
H. Bobbin winder mechanism	27
J. Thread trimmer mechanism	29
K. Thread wiper mechanism	33
L. Tension release mechanism	35
M1. Control box mechanism	37
M2. Control box mechanism (Power supply motor PCB)	39
N. Power switch mechanism	41
P. Air pressure mechanism	43
Q. Power supply equipment mechanism	45
R. Operation panel mechanism	47
S. Motor mechanism	49
T. Foot switch pedal mechanism	51
U. Power table	53
V. Programmer	55
W1. Attachment set (Option parts)	57
W2. Attachment set (Option parts)	59
W3. Attachment set (Option parts)	61
W4. Attachment set (Option parts)	63
W5. Attachment set (Option parts)	65
Z. Accessories	67
Wa. Warning labels	69
Ap. Parts list sorted by application	70
Ga. Gauge parts list	72
Index	73

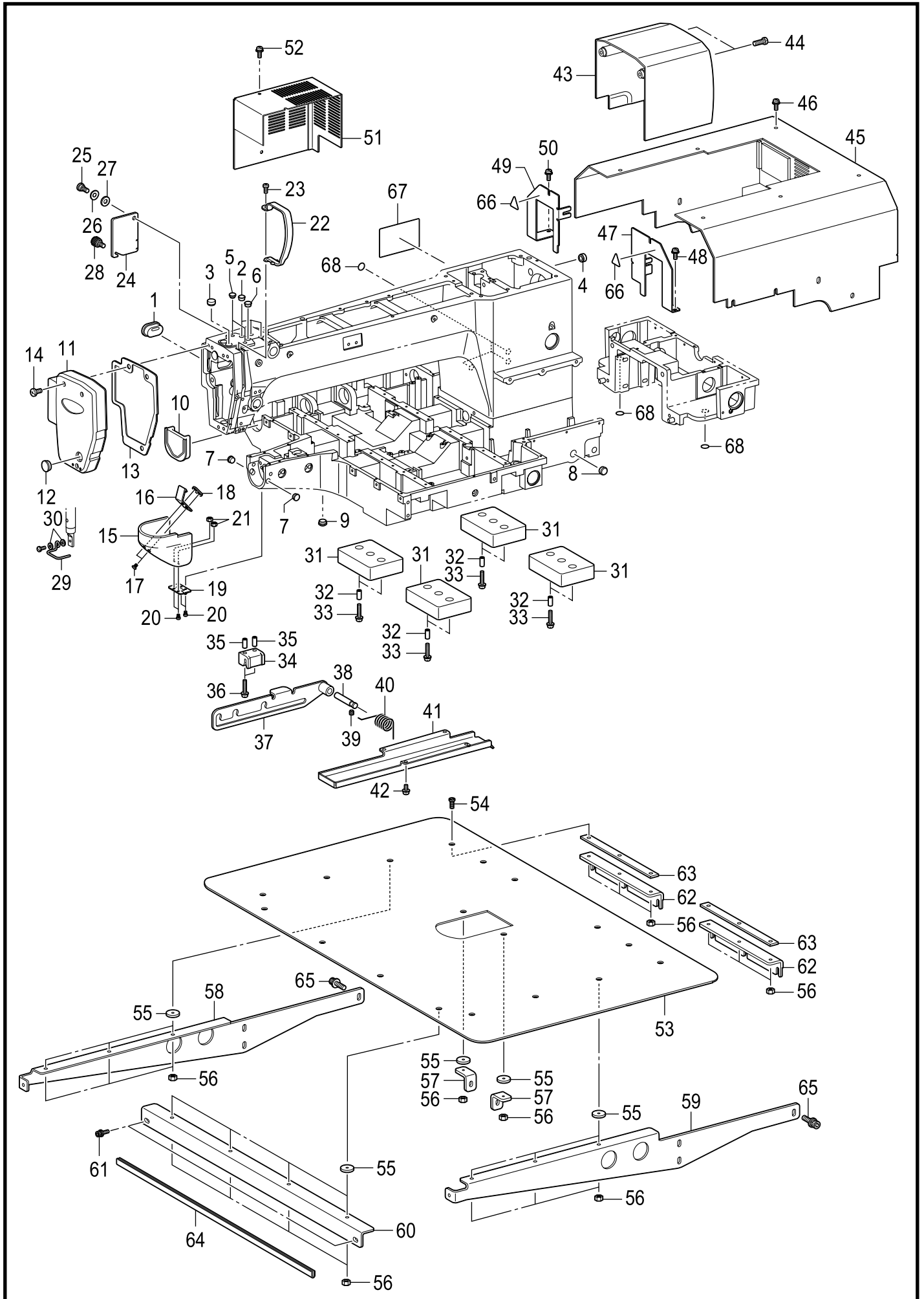
A1 . 机体部分 / Machine body



A1. 机体部分 / Machine body

参照号	零部件序号	数量	零部件名称	NAME OF PARTS	RM
1	CSA4596001	1	橡皮塞 20-15	RUBBER CAP 20-15	
2	C104821001	3	橡皮塞 10.5	RUBBER CAP, 10.5	
3	CS20164001	1	橡皮塞 13	RUBBER CAP, 13	
4	CS20164001	1	橡皮塞 13	RUBBER CAP, 13	
5	C104450101	2	橡皮塞 8	RUBBER CAP, 8	
6	C117936001	1	橡皮塞 9.4	RUBBER CAP, 9.4	
7	CS44010001	2	橡皮塞 11.5	RUBBER CAP, 11.5	
8	C150592001	1	橡皮塞 16	RUBBER CAP, 16	
9	C104449001	1	橡皮塞 15.5	RUBBER CAP, 15.5	
10	CSA8548101	1	底板盖	BED COVER	
11	CSA4600001	1	面板	FACE PLATE	
12	C104449001	1	橡皮塞 15.5	RUBBER CAP, 15.5	
13	CSA4601001	1	面板垫片	F-PLATE PACKING	
14	C062061016	3	螺钉 M6X10	SCREW PAN M6X10	
15	CSA4603101	1	大旋梭盖	SHUTTLE RACE COVER	
16	CSA6272001	1	大旋梭盖挂钩 D	SHUTTLE RACE COVER HOOK D	
17	C004300513	2	螺钉 M3X5	SCREW, FLAT M3X5	
18	CSA3264001	1	板螺母	NUT PLATE	
19	CSA6207001	1	铰链	HINGE	
20	C062300506	4	螺钉 M3X5	SCREW PAN M3X5	
21	C021300103	2	螺母 M3	NUT, 1 M3	
22	CSA3200101	1	挑线杆防护罩	THREAD TAKE-UP COVER	
23	C062401006	1	螺钉 M4X10	SCREW PAN M4X10	
24	CSA4604001	1	间歇盖板	STEPPING COVER	
25	CSA3306001	1	段螺钉 7-3	SHOULDER SCREW, 7-3	
26	C120265002	1	弹簧垫圈	SPRING WASHER	
27	CS07350002	1	垫圈	WASHER PLAIN	
28	CS36475000	1	螺钉 M5	SCREW, M5	
29	CSA8679001	1	护指器	FINGER GUARD	
30	C025350332	2	平垫圈 L3.5	WASHER PLAIN L 3.5	
31	CSA8670001	4	防震垫	CUSHION	
32	CSA8680001	8	管套	SPACER	
33	C0A5402005	8	螺栓(带垫圈) M4X20DB	SCREW PAN (S/P WASHER) M4X20	
34	CSA8880001	1	防震橡皮垫	RUBBER CUSHION	
35	CSA8680001	2	管套	SPACER	
36	C0A5402005	2	螺栓(带垫圈) M4X20DB	SCREW PAN (S/P WASHER) M4X20	
37	CSA8549001	1	头部支撑杆	SUPPORT LEVER	
38	CSA8550001	1	头部支撑杆轴	SUPPORT LEVER SHAFT	
39	C012060636	1	螺钉 M6X6	SET SCREW SOCKET (FT) M6X6	
40	CSA8551001	1	弹簧	TOSHON SPRING	
41	CSA8552001	1	供油盘	OIL PAN	
42	C0A5401006	4	螺栓(带垫圈) M4X10DB	SCREW PAN (S/P WASHER) M4X10	
43	CSA8553001	1	马达罩	MOTOR COVER	
44	C062061616	2	螺钉 M6X16	SCREW PAN M6X16	
45	CSA8816001	1	后盖组件	REAR COVER ASSY	
46	C0A5401006	16	螺栓(带垫圈) M4X10DB	SCREW PAN (S/P WASHER) M4X10	
47	CSA8555001	1	后盖 FR	REAR COVER	
48	C0A5401006	3	螺栓(带垫圈) M4X10DB	SCREW PAN (S/P WASHER) M4X10	
49	CSA8556001	1	后盖 FL	REAR COVER	
50	C0A5401006	3	螺栓(带垫圈) M4X10DB	SCREW PAN (S/P WASHER) M4X10	
51	CSA8557001	1	马达盖 (X)	X MOTOR COVER	
52	C0A5401006	4	螺栓(带垫圈) M4X10DB	SCREW PAN (S/P WASHER) M4X10	
53	CSA8559001	1	针板补助板	AUXILIARY PLATE	
54	CSA8560001	18	螺钉 M4X12	SCREW M4X12	
55	CSA4677101	12	补助板缓冲	AUXILIARY PLATE CUSHION	
56	C021400206	18	六角螺母 M4	NUT 2 M4	
57	CSA4676101	2	补助板支架	AUXILIARY PLATE BRACKET	
58	CSA8561001	1	补助板支架 L	AUXILIARY PLATE BRACKET L	
59	CSA8562001	1	补助板支架 R	AUXILIARY PLATE BRACKET R	
60	CSA8563001	1	补助板支架 M	AUXILIARY PLATE BRACKET M	
61	CS55481001	2	螺栓(带垫圈) M4X12	BOLT SOCKET (S/P WASHER) M4X12	
62	CSA8564001	2	补助板支架 B	AUXILIARY PLATE BRACKET B	
63	CSA8672001	2	补助板防震垫 B	AUXILIARY PLATE CUSHION B	

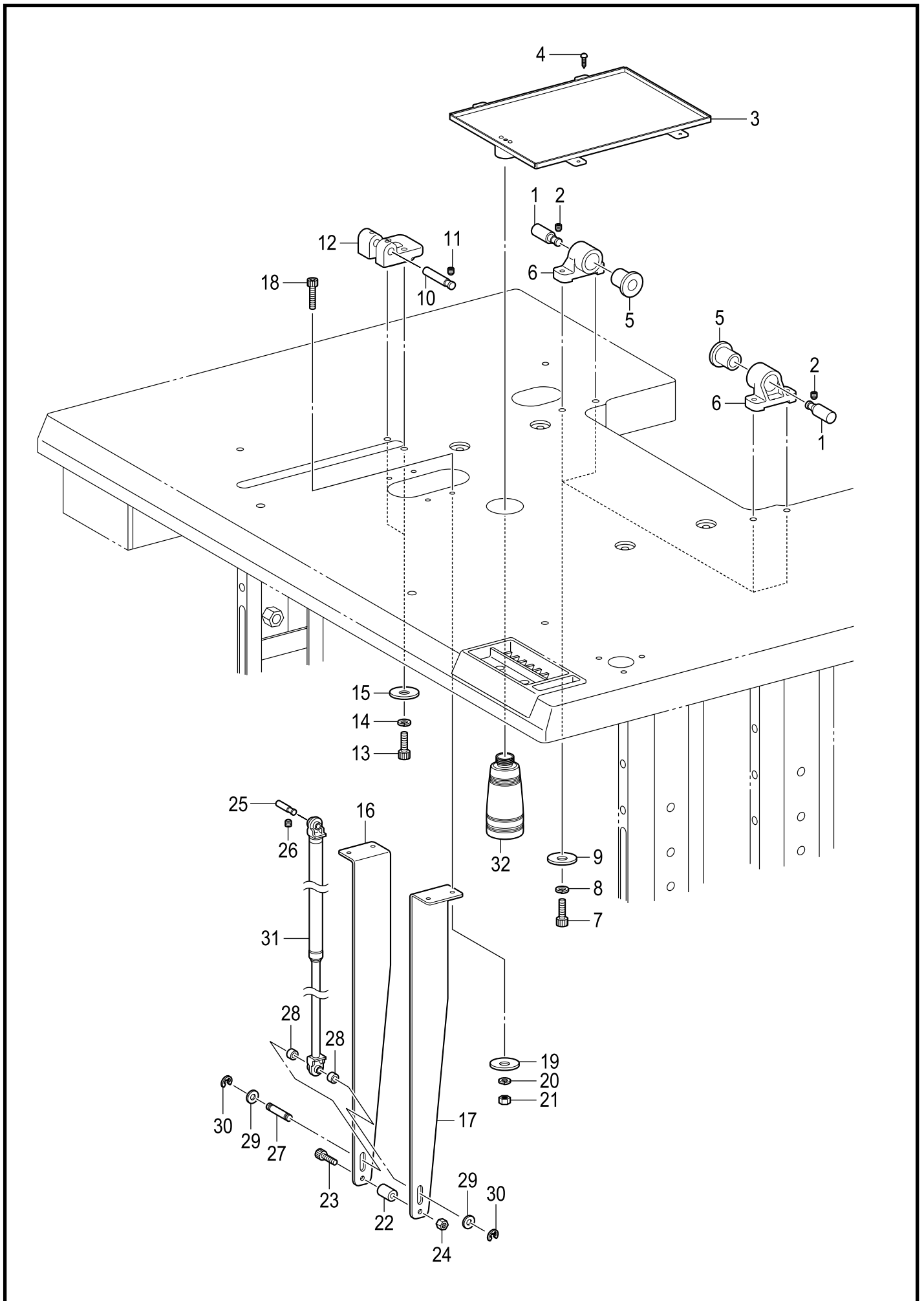
A1 . 机体部分 / Machine body



A1. 机体部分 / Machine body

参照号	零部件序号	数量	零部件名称	NAME OF PARTS	RM
64	CSA8879001	1	调整长条 L5400	TRIMS L540	
65	CS42446001	14	螺栓 M6X14	BOLT SOCKET (S/P WASHER) M6X14	
66	CS36924002	2	警告标记	INJURY MARK	
			<用于日本>	<For Japan only>	
67	CSA0792001	1	操作注意标签(日 / 英)	LABEL CAUTION JPN/ENG	
			<用于日本以外>	<Except for Japan>	
67	CSA0793001	1	操作注意标签(中 / 英)	LABEL CAUTION CHN/ENG	
			<用于欧洲以外>	<Except for Europe>	
68	CS37060001	3	接地标记	LABEL, GROUNDING	
			<用于欧洲>	<For Europe only>	
68	CS37060001	5	接地标记	LABEL, GROUNDING	

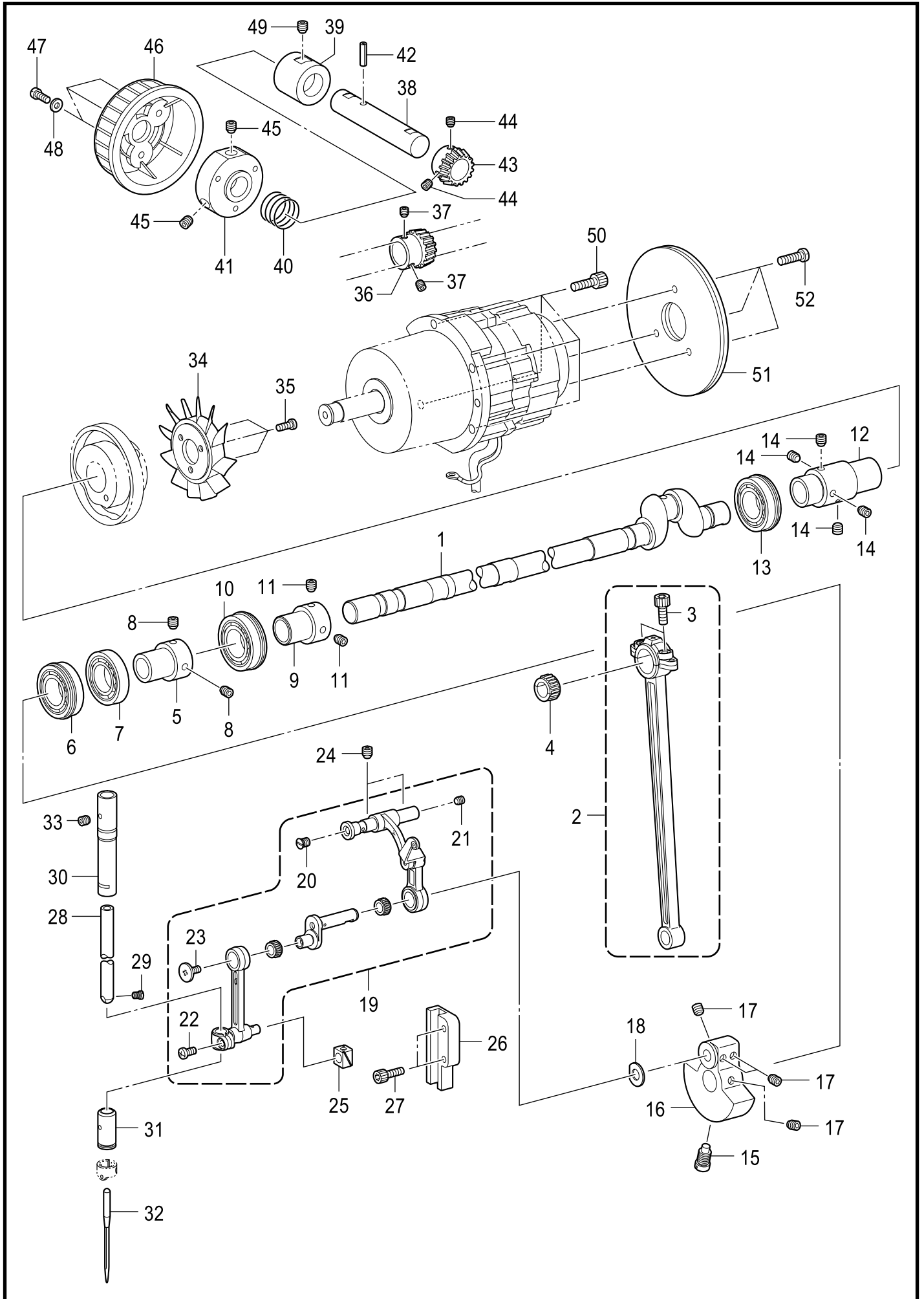
A2 . 机体部分 / Machine body



A2. 机体部分 / Machine body

参照号	零部件序号	数量	零部件名称	NAME OF PARTS	RM
1	CSA8668001	2	头部铰链轴	HINGE SHAFT	
2	C012060636	2	螺钉 M6X6	SET SCREW SOCKET (FT) M6X6	
3	CSA8665001	1	油盘组件	OIL PAN ASSY	
4	C032361306	4	木螺钉 M3.5X13	WOOD SCREW ROUND 2 M3.5X13	
5	CSA8667001	2	橡皮轴套	RUBBER BUSH	
6	CSA8669001	2	铰链轴支架	HINGE HOLDER	
7	C018087036	4	螺栓 M8X70	BOLT SOCKET M8X70	
8	C028080246	4	弹簧垫圈 2-8	WASHER SPRING 2-8	
9	C213650001	4	垫圈 2.3X8.5X38	WASHER 2.3X8.5X38ST	
10	CSA8550001	1	头部支撑杆轴	SUPPORT LEVER SHAFT	
11	C012060636	2	螺钉 M6X6	SET SCREW SOCKET (FT) M6X6	
12	CSA8671001	1	头部支撑座	SUPPORT LEVER BASE	
13	C018087036	2	螺栓 M8X70	BOLT SOCKET M8X70	
14	C028080246	2	弹簧垫圈 2-8	WASHER SPRING 2-8	
15	C213650001	2	垫圈 2.3X8.5X38	WASHER 2.3X8.5X38ST	
16	CSA8673001	1	减震器支撑 L	HOLDER ABSORBER L	
17	CSA8674001	1	减震器支撑 R	HOLDER ABSORBER R	
18	CSA3387001	4	螺栓 M6X75	BOLT, SOCKET M6X75	
19	C213650001	4	垫圈 2.3X8.5X38	WASHER 2.3X8.5X38ST	
20	C028060246	4	弹簧垫圈 2-6	WASHER SPRING 2-6	
21	C021060106	4	螺母 M6	NUT 1 M6	
22	CSA5251001	1	垫圈	SPACER	
23	C018064031	1	螺栓 M6X40	BOLT SOCKET M6X40	
24	C021060106	1	螺母 M6	NUT 1 M6	
25	CSA4847001	1	轴 U	SHAFT U	
26	C012060636	1	螺钉 M6X6	SET SCREW SOCKET (FT) M6X6	
27	CS17974101	1	轴 D	SHAFT D	
28	CS17975100	2	轴套 GS	SHAFT COLLAR, GAS	
29	C025080132	2	垫圈 S8	WASHER PLAIN S 8	
30	C048060342	2	挡圈 E6	RETAINING RING E6	
31	CSA8675001	1	减震器	SHOCK ABSORBER GAS	
32	C114486002	1	油壶	OILER	

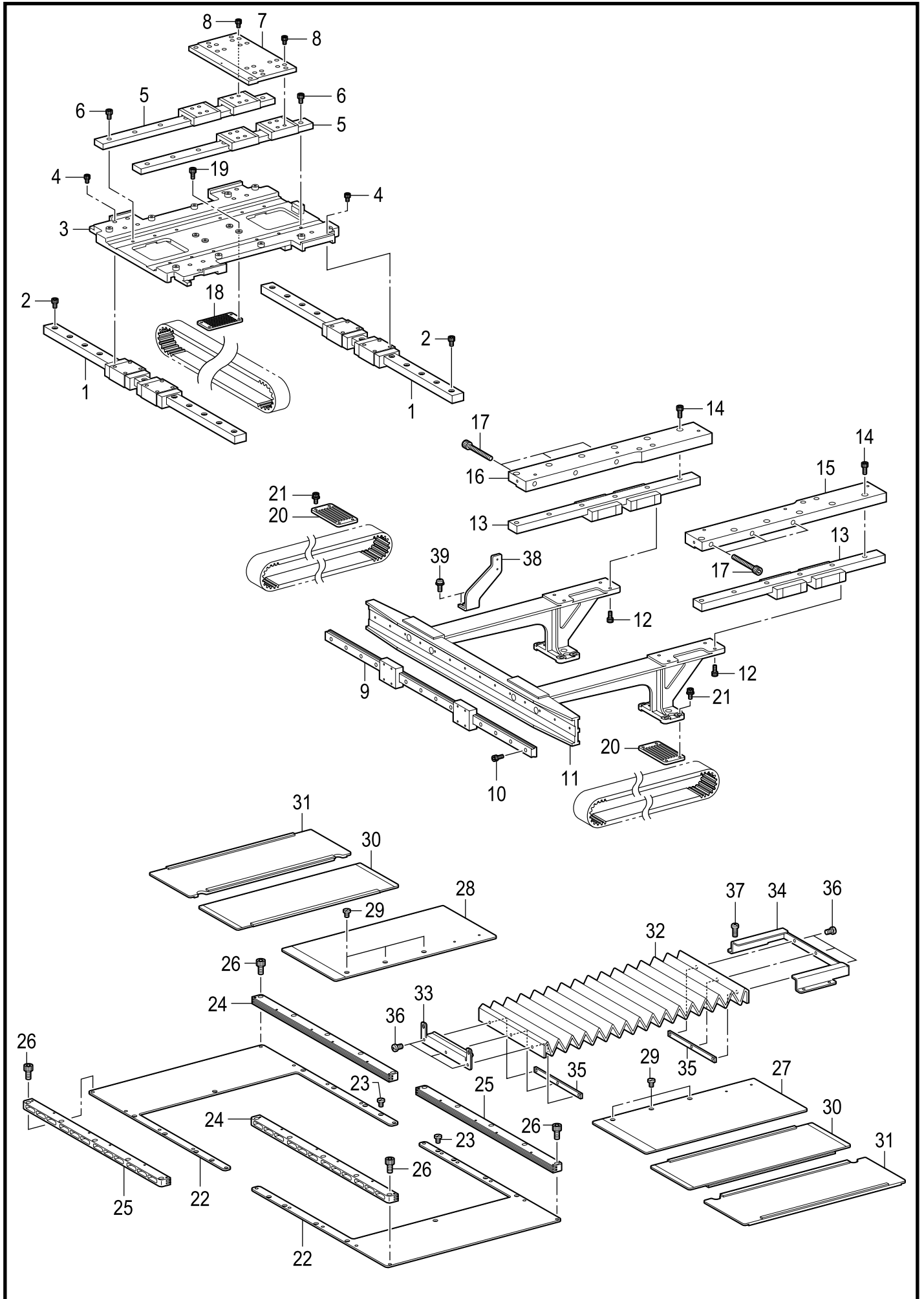
B. 上轴 · 针杆装置 / Upper shaft and needle bar mechanism



B. 上轴 · 针杆装置 / Upper shaft and needle bar mechanism

参照号	零部件序号	数量	零部件名称	NAME OF PARTS	RM
1	CSA8565101	1	上轴	UPPER SHAFT	
2	CSA3499001	1	曲柄轴组件	CRANK ROD ASSY	
3	C018501636	2	螺栓 M5X16	BOLT SOCKET M5X16	
4	CSA4172001	1	滚针轴承	NEEDLE BEARING: BLUE	
4	CSA4173001	1	滚针轴承	NEEDLE BEARING: BLACK	
4	CSA4174001	1	滚针轴承	NEEDLE BEARING: GRAY	
4	CSA4175001	1	滚针轴承	NEEDLE BEARING: YELLOW	
5	CSA3206001	1	轴承套	BALL BEARING BUSH	
6	CSA4179001	1	轴承 6904DDUNR	BALL BEARING 6904DDUNR	
7	CSA4180001	1	轴承 R-6904DDU	BALL BEARING 6904DDU	
8	CS23651001	2	固定螺钉 M6X6	SET SCREW SOCKET (FT) M6X6	
9	CSA3206001	1	轴承套	BALL BEARING BUSH	
10	CSA4177001	1	轴承 6004DDUNR	BALL BEARING 6004DDUNR	
11	CS23651001	2	固定螺钉 M6X6	SET SCREW SOCKET (FT) M6X6	
12	CSA4608101	1	管接头 G	JOINT G	
13	CSA4178001	1	轴承 6204DDUNR	BALL BEARING 6204DDUNR	
14	CS23651001	4	固定螺钉 M6X6	SET SCREW SOCKET (FT) M6X6	
15	CS25235001	1	螺钉 M8	SCREW M8	
16	CSA4609101	1	曲柄 G	THREAD TAKE-UP CRANK G	
17	CS23651001	4	固定螺钉 M6X6	SET SCREW SOCKET (FT) M6X6	
18	C110367001	1	垫圈 8	WASHER, PLAIN SPECIAL 8	
19	CSA6182001	1	针杆连杆组件 FK	THREAD TAKE-UP LEVER FK SET	
20	CSA2958001	1	螺钉 M5X6	SCREW FLAT M5X6	
21	C012500536	1	螺钉 M5X5	SET SCREW SOCKET (FT) M5X5	
22	C062400816	1	螺钉 M4X8	SCREW PAN M4X8	
23	C145465001	1	螺钉 SM3.57-40X6L	SCREW, SM3.57-40X6 L	
24	C012060636	2	螺钉 M6X6	SET SCREW SOCKET (FT) M6X6	
25	C142211001	1	滑块	SLIDE BLOCK	
26	CSA3528001	1	滑块导向 B	SLIDE BLOCK GUIDE	
27	C018401636	2	螺栓 M4X16	BOLT SOCKET M4X16	
28	CSA4622001	1	针杆	NEEDLE BAR	
29	C144458001	1	螺钉 SM3.57-40X4.5	SET SCREW, SM3.57-40X4.5	
30	CSA4666001	1	针杆轴套 UK	NEEDLE BAR BUSH UK	
31	CSA3224001	1	针杆轴套 D	NEEDLE BAR BUSH D	
32	C145646019	1	机针 DPX17	NEEDLE, DPX17	
33	C012060536	1	螺钉 M6X5	SET SCREW, SOCKET (FT) M6X5	
34	CS38713100	1	叶轮	FAN	
35	C062400816	3	螺钉 M4X8	SCREW PAN M4X8	
36	CSA6108001	1	齿轮 R	PULLEY GEAR R	
37	C012500536	2	螺钉 M5X5	SET SCREW SOCKET (FT) M5X5	
38	CSA4626101	1	上轮轴	PULLEY SHUFT	
39	CSA4627001	1	上轮轴套	PULLEY BUSH	
40	CSA4628101	1	上轮弹簧	PULLEY SPRING	
41	CSA4629001	1	上轮基座	PULLEY BASE	
42	C047401242	1	弹簧销 4X12	PIN SPRING ROLL AW4	
43	CSA4624001	1	齿轮	PULLEY GEAR L	
44	C012500536	2	螺钉 M5X5	SET SCREW SOCKET (FT) M5X5	
45	CS23651001	2	固定螺钉 M6X6	SET SCREW SOCKET (FT) M6X6	
46	CSA4630001	1	上轮	PULLEY	
47	C062401006	3	螺钉 M4X10	SCREW PAN M4X10	
48	CSA5158101	3	垫圈 L4	WASHER PLAIN L 4	
49	C012060636	1	螺钉 M6X6	SET SCREW SOCKET (FT) M6X6	
50	C018501636	4	螺栓 M5X16	BOLT SOCKET M5X16	
51	CSA5230001	2	惯性轮 2	FRIES WHEEL 2	
52	C062401016	3	螺钉 M4X10	SCREW PAN M4X10	

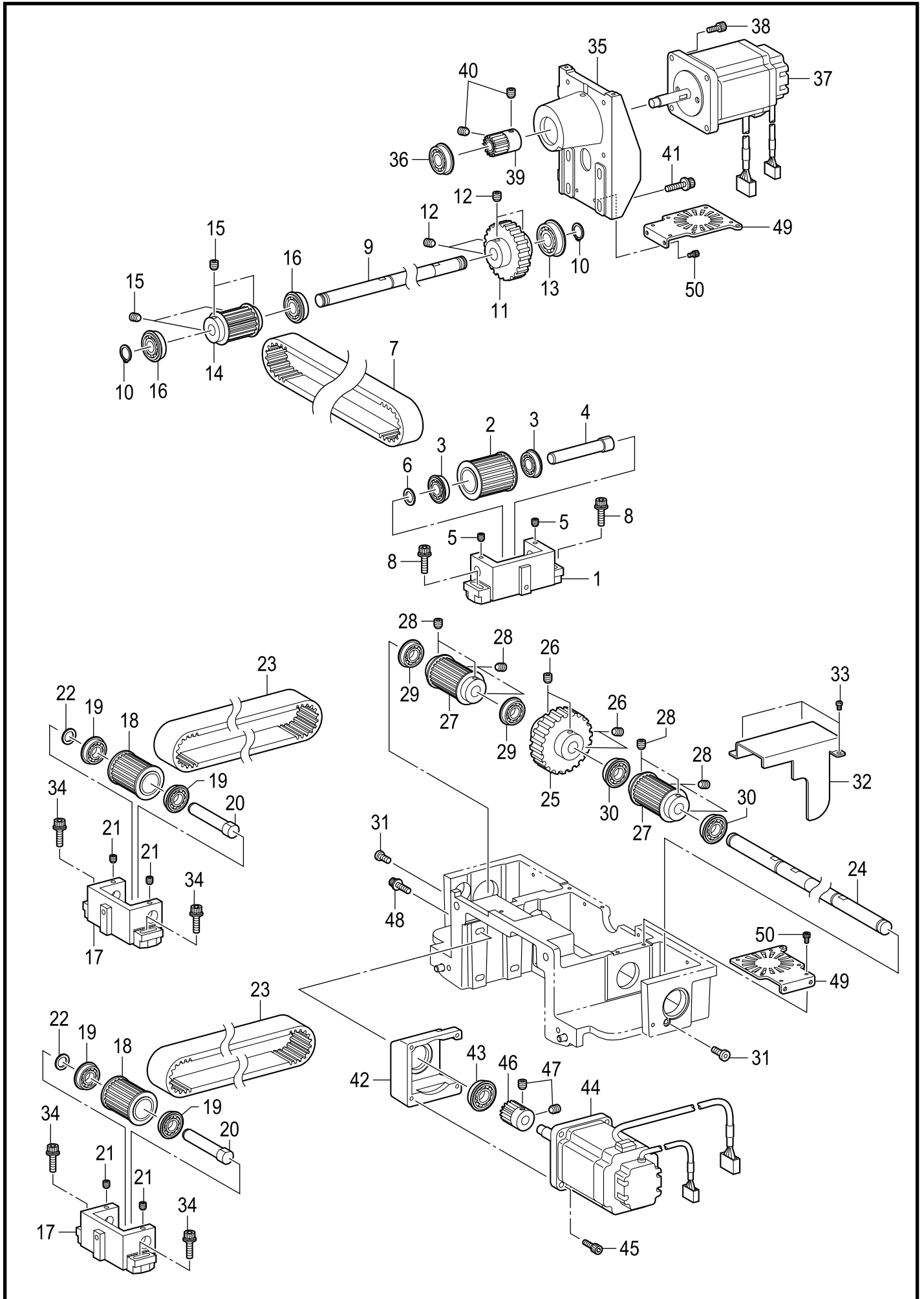
C1. 送料装置 / Feed mechanism



C1. 送料装置 / Feed mechanism

参照号	零部件序号	数量	零部件名称	NAME OF PARTS	RM
1	CSA8566001	2	X-LM导向 F	X-LM GUIDE F	
2	C018400836	22	螺栓 M4X8	BOLT SOCKET M4X8	
3	CSA8567001	1	基板 (X)	BASE PLATE X	
4	C018300536	16	螺栓 M3X5	BOLT SOCKET M3X5	
5	CSA8568001	2	Y-LM导向 F	Y-LM GUIDE F	
6	C018400836	12	螺栓 M4X8	BOLT SOCKET M4X8	
7	CSA8569101	1	基板组件 (Y)	BASE PLATE Y ASSY	
8	C018300536	16	螺栓 M3X5	BOLT SOCKET M3X5	
9	CSA8571001	1	X-LM导向 R	X-LM GUIDE R	
10	C018301036	14	螺栓 M3X10	BOLT SOCKET M3X10	
11	CSA8819001	1	Y臂组件	Y-ARM ASSY	
12	C018401236	8	螺栓 M4X12	BOLT SOCKET M4X12	
13	CSA8574001	2	Y-LM导向 R	Y-LM GUIDE R	
14	C018501236	12	螺栓 M5X12	BOLT SOCKET M5X12	
15	CSA8575001	1	Y导向支座 R	Y-LM GUIDE BRACKET R	
16	CSA8576001	1	Y导向支座 L	Y-LM GUIDE BRACKET L	
17	C018066036	6	螺栓 M6X60	BOLT SOCKET M6X60	
18	CSA8590001	1	皮带支撑板	BELT HOLDER	
19	C018401036	4	螺栓 M4X10	BOLT SOCKET M4X10	
20	CSA8590001	2	皮带支撑板	BELT HOLDER	
21	CS55481001	8	螺栓(带垫圈) M4X12	BOLT SOCKET (S/P WASHER) M4X12	
22	CSA8608001	2	固定盖	FIXATION	
23	CSA3538001	14	螺钉 M4X8	SCREW, M4X8	
24	CSA8609001	2	盖轨组件 FR	COVER RAIL FR ASSY	
25	CSA8611001	2	盖轨组件 FL	COVER RAIL FL ASSY	
26	C018401036	20	螺栓 M4X10	BOLT SOCKET M4X10	
27	CSA8612001	1	内盖组件 R	INSIDE COVER R ASSY	
28	CSA8615001	1	内盖组件 L	INSIDE COVER L ASSY	
29	CSA3538001	6	螺钉 M4X8	SCREW, M4X8	
30	CSA8617001	2	中盖组件	MIDDLE COVER ASSY	
31	CSA8619001	2	外盖组件	OUTSIDE COVER ASSY	
32	CSA8622001	1	波纹片	BELLOW	
33	CSA8623001	1	波纹片支座 F	BELLOW PRESSER F	
34	CSA8624001	1	波纹片支座 R	BELLOW PRESSER R	
35	CSA8625001	2	波纹片螺母	BELLOW NUT	
36	C062300416	6	螺钉 M3X4	SCREW PAN M3X4	
37	C062401016	4	螺钉 M4X10	SCREW PAN M4X10	
38	CSA8626001	1	Y感应器安装板	SENSOR PLATE Y	
39	C0A5401006	2	螺栓(带垫圈) M4X10DB	SCREW PAN (S/P WASHER) M4X10	

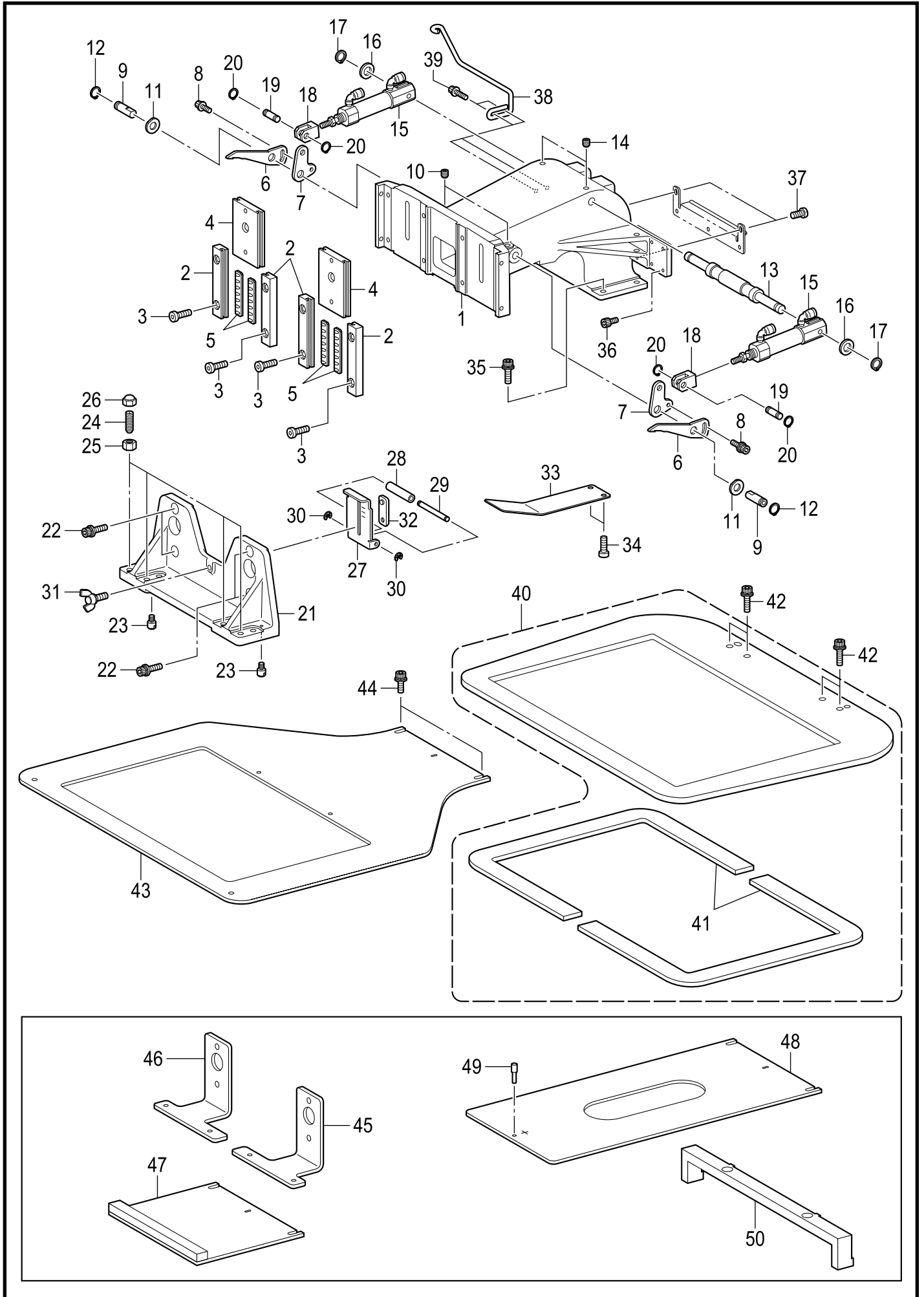
C2. 送料装置 / Feed mechanism



C2. 送料装置 / Feed mechanism

参照号	零部件序号	数量	零部件名称	NAME OF PARTS	RM
1	CSA8578001	1	X手轮基座	X-PULLEY BRACKET	
2	CSA8579001	1	手轮组件 A	PULLEY A ASSY	
3	CSA1283001	2	球轴承 6901ZZNR	BALL BEARING, 6901ZZNR	
4	CSA8582001	1	手轮支点轴	PULLEY FULCRUM SHAFT	
5	C012500536	2	螺钉 M5X5	SET SCREW SOCKET (FT) M5X5	
6	CSA8583001	1	支点轴套	PULLEY FULCRUM SHAFT COLLAR	
7	CSA8584001	1	X-GT 皮带	X-GT BELT	
8	CS47270001	2	螺拴(带垫圈) M6X30	BOLT SOCKET (S/P WASHER) M6X30	
9	CSA8585001	1	X驱动轴	DRIVE SHAFT X	
10	C048150142	2	轴用挡圈 C15	RETAINING RING EXTERNAL C15	
11	CSA8586001	1	X齿轮	GEAR X	
12	C012060636	4	螺钉 M6X6	SET SCREW SOCKET (FT) M6X6	
13	CSA6674001	1	轴承 6002ZZNR	BALL BEARING 6002ZZNR	
14	CSA8587001	1	手轮组件 B	PULLEY B ASSY	
15	C012060636	4	螺钉 M6X6	SET SCREW SOCKET (FT) M6X6	
16	C076202850	2	R轴承 6202ZZNR	BALL BEARING RADIAL 6202ZZNR	
17	CSA8592001	2	Y手轮基座	Y-PULLEY BRACKET	
18	CSA8579001	2	手轮组件 A	PULLEY A ASSY	
19	CSA1283001	4	球轴承 6901ZZNR	BALL BEARING, 6901ZZNR	
20	CSA8582001	2	手轮支点轴	PULLEY FULCRUM SHAFT	
21	C012500536	4	螺钉 M5X5	SET SCREW SOCKET (FT) M5X5	
22	CSA8583001	2	支点轴套	PULLEY FULCRUM SHAFT COLLAR	
23	CSA8593001	2	Y-GT皮带	Y-GT BELT	
24	CSA8595001	1	Y驱动轴	DRIVE SHAFT Y	
25	CSA8596001	1	Y齿轮	GEAR Y	
26	C012060636	4	螺钉 M6X6	SET SCREW SOCKET (FT) M6X6	
27	CSA8587001	2	手轮组件 B	PULLEY B ASSY	
28	C012060636	8	螺钉 M6X6	SET SCREW SOCKET (FT) M6X6	
29	CSA6674001	2	轴承 6002ZZNR	BALL BEARING 6002ZZNR	
30	C076202850	2	R轴承 6202ZZNR	BALL BEARING RADIAL 6202ZZNR	
31	CSA8597001	2	螺拴 M5X12	BOLT SOCKET M5X12	
32	CSA8602001	1	Y齿轮罩	COVER GEAR Y	
33	C062400816	3	螺钉 M4X8	SCREW PAN M4X8	
34	CS47270001	4	螺拴(带垫圈) M6X30	BOLT SOCKET (S/P WASHER) M6X30	
35	CSA8604001	1	X马达基座	MOTOR BRACKET X	
36	CSA8599001	1	轴承 6201ZZNR	BALL BEARING 6201ZZNR	
37	CSA8538001	1	脉冲马达组件 X	PULSE MOTOR ASSY X	
38	C018501636	4	螺拴 M5X16	BOLT SOCKET M5X16	
39	CSA8607001	1	X马达齿轮	MOTOR GEAR X	
40	C012060636	2	螺钉 M6X6	SET SCREW SOCKET (FT) M6X6	
41	CS47270001	4	螺拴(带垫圈) M6X30	BOLT SOCKET (S/P WASHER) M6X30	
42	CSA8598001	1	Y马达基座	MOTOR BRACKET Y	
43	CSA8599001	1	轴承 6201ZZNR	BALL BEARING 6201ZZNR	
44	CSA8542001	1	脉冲马达组件 Y	PULSE MOTOR ASSY Y	
45	C018501636	4	螺拴 M5X16	BOLT SOCKET M5X16	
46	CSA8601001	1	Y马达齿轮	MOTOR GEAR Y	
47	C012060636	2	螺钉 M6X6	SET SCREW SOCKET (FT) M6X6	
48	CS47269001	4	螺拴(带垫圈) M6X20	BOLT SOCKET (S/P WASHER) M6X20	
49	CSA8694001	2	风扇安装板	FAN BRACKET	
50	C018400836	4	螺拴 M4X8	BOLT SOCKET M4X8	

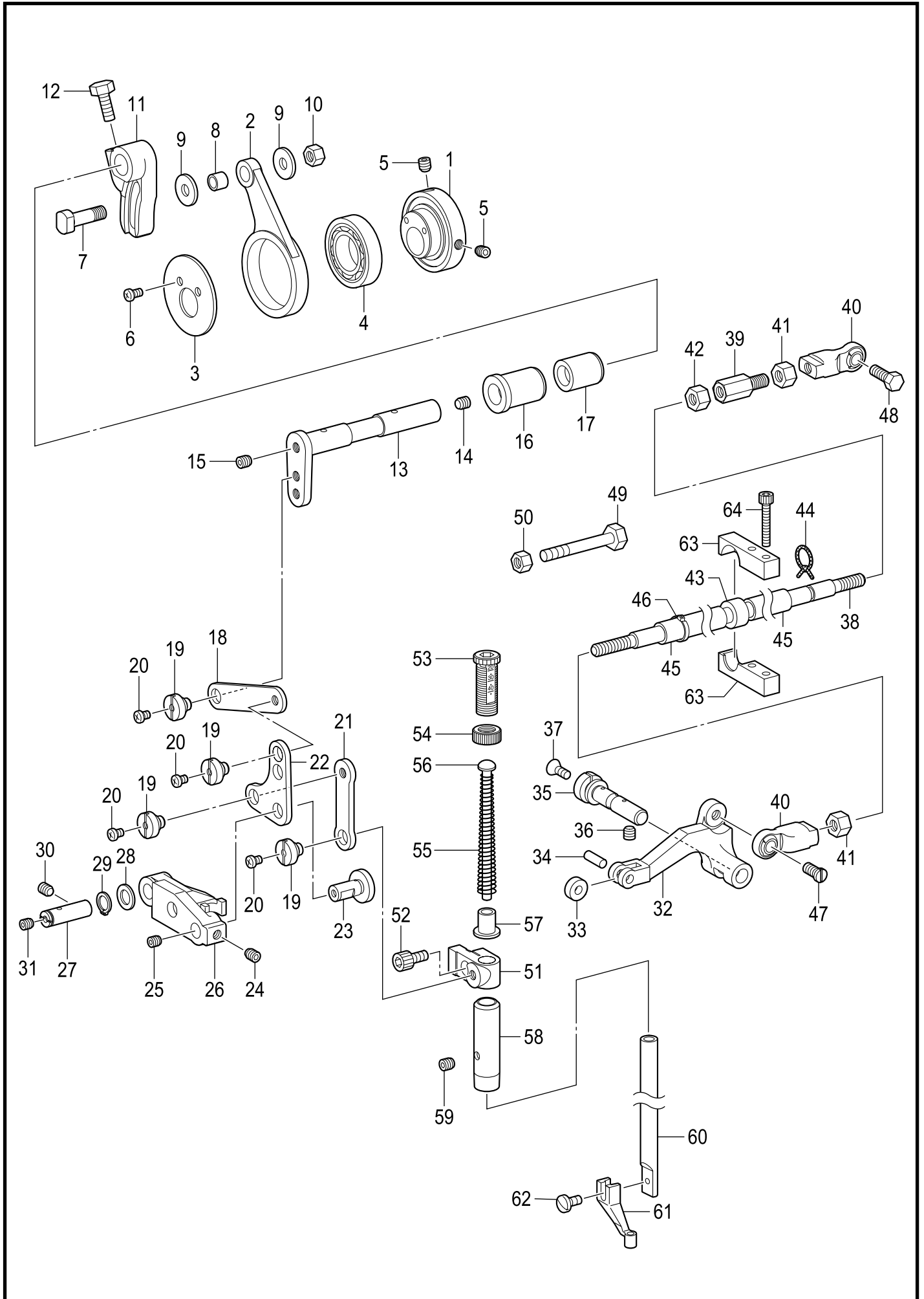
C3 . 送料装置 / Feed mechanism



C3. 送料装置 / Feed mechanism

参照号	零部件序号	数量	零部件名称	NAME OF PARTS	RM
1	CSA8628001	1	抬压臂	WORK CLAMP ARM	
2	CSA8629001	4	压脚导向组件	WORK CLAMP GUIDE ASSY	
3	CSA8597001	8	螺栓 M5X12	BOLT SOCKET M5X12	
4	CSA8631001	2	压脚滑块	WORK CLAMP SLIDER	
5	CSA8632001	4	滚板	CROSS ROLLER	
6	CSA8633001	2	压脚扳手	WORK CLAMP LIFTER LEVER U	
7	CSA8634001	2	抬压臂杆	WORK CLAMP ARM LEVER	
8	CS55479001	2	螺栓(带垫圈) M4X8	BOLT SOCKET (S/P WASHER) M4X8	
9	CSA4771001	2	联接板轴	SHAFT STEPPING CLAMP LIFT LINK	
10	C 012060636	2	螺钉 M6X6	SET SCREW SOCKET (FT) M6X6	
11	C 110367001	2	垫圈 8	WASHER, PLAIN SPECIAL 8	
12	C 048080142	2	轴用挡圈 C8	RETAINING RING EXTERNAL C8	
13	CSA8635001	1	气缸轴	CYLINDER SHAFT	
14	C012060636	2	螺钉 M6X6	SET SCREW SOCKET (FT) M6X6	
15	CSA8636001	2	气缸组件	AIR CYLINDER ASSY	
16	C 146354002	2	垫圈 5	WASHER, PLAIN 5	
17	C 048040342	2	挡圈 E4	RETAINING RING E4	
18	CSA4720001	2	气缸接头	CYLINDER JOINT	
19	CSA4721001	2	气缸接头轴	CYLINDER JOINT SHAFT	
20	C 048060142	4	轴用挡圈 C6	RETAINING RING EXTERNAL C6	
21	CSA8638001	1	压脚	WORK CLAMP	
22	CS55485001	4	螺栓(带垫圈) M5X12	BOLT SOCKET (S/P WASHER) M5X12	
23	CSA4709001	2	定位段螺钉	SHOULDER SCREW	
24	CS25475101	4	螺钉 M6X19	SET SCREW, M6X19	
25	C021060206	4	螺母 M6	NUT 2 M6	
26	CSA8909001	4	螺母 M6	NUT, CAP M6	
27	CSA8640001	1	压脚定位器	WORK CLAMP STOPPER	
28	CSA8641001	1	定位橡皮	WORK CLAMP STOPPER RUBBER	
29	CSA8820001	1	滚轮轴	ROLLER SHAFT	
30	C 048030342	2	挡圈 E3	RETAINING RING E3	
31	CSA8642001	1	蝶形螺栓	WING SCREW	
32	CSA8643001	1	板形螺母	WORK CLAMP PLATE NUT	
33	CSA8644001	1	板弹簧	WORK CLAMP SPRING	
34	CSA8597001	2	螺栓 M5X12	BOLT SOCKET M5X12	
35	CS55485001	4	螺栓(带垫圈) M5X12	BOLT SOCKET (S/P WASHER) M5X12	
36	C018300836	8	螺栓 M3X8	BOLT SOCKET M3X8	
37	C062500816	2	螺钉 M5X8	SCREW PAN M5X8	
38	CSA8645001	1	管夹	HOSE SUPPORT	
39	CS55481001	2	螺栓(带垫圈) M4X12	BOLT SOCKET (S/P WASHER) M4X12	
40	CSA8646001	1	压脚板组件	WORK CLAMP ASSY	
41	CSA8818001	2	压脚板垫片	WORK CLAMP CUSHION	
42	CS55487001	4	螺栓(带垫圈) M5X16	BOLT SOCKET (S/P WASHER) M5X16	
43	CSA8648001	1	送料板	FEED PLATE	
44	CSA8904001	2	螺栓(带垫圈)M5X10L	BOLT SOCKET (S/P WASHER) M5X10L	
			<选购件>	<Option parts>	
45	CSA8859001	1	压脚变更 R	WORK CLAMP CONVERSION R	
46	CSA8860001	1	压脚变更 L	WORK CLAMP CONVERSION L	
47	CSA8871001	1	送料板变更组件	FEED PLATE CONVERSION ASSY	
48	CSA8869001	1	原点基准板	ORIGIN STANDARD PLATE	
49	CSA5415001	1	原点基准销	ORIGIN STANDARD PIN	
50	CSA8870001	1	Y基准板轴	BASE PLATE Y POSITION BLOCK	

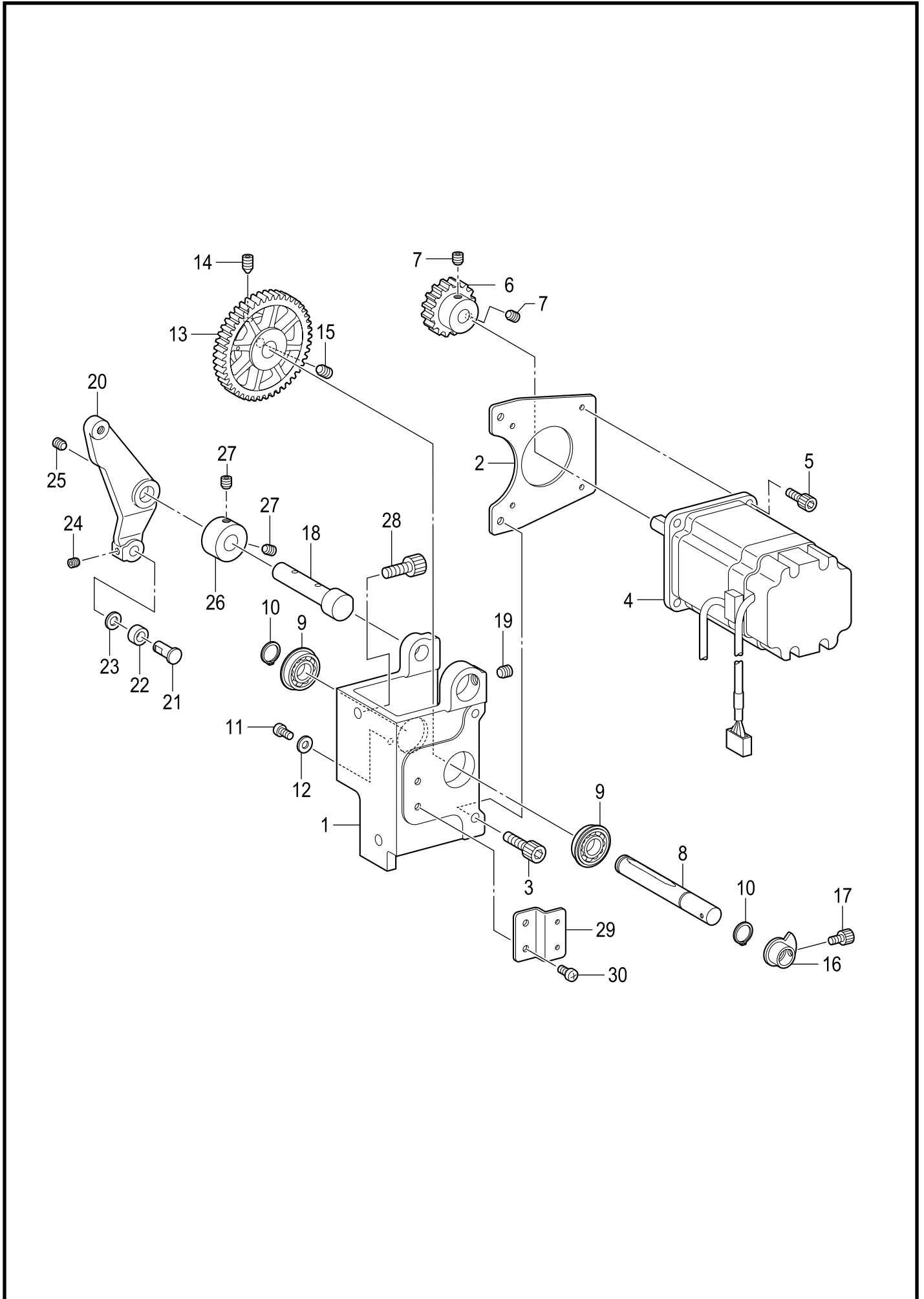
D1 . 抬压装置 / Work clamp lifter mechanism



D1. 抬压装置 / Work clamp lifter mechanism

参照号	零部件序号	数量	零部件名称	NAME OF PARTS	RM
1	CSA4759001	1	凸轮	STEPPING CLAMP CAM	
2	CSA4760001	1	连杆	STEPPING CLAMP CON.ROD	
3	CSA4763001	1	垫圈	WASHER STEPPING CLAMP CAM	
4	C623033000	1	轴承 6805VV	BALL BEARING, 6805VV	
5	CS23651001	2	固定螺钉 M6X6	SET SCREW SOCKET (FT) M6X6	
6	C062400616	2	螺钉 M4X6	SCREW PAN M4X6	
7	CSA4761001	1	滚轮轴	ROLLER SHAFT STEPPING CLAMP	
8	CSA4762001	1	滚轮	ROLLER STEPING CLAMP	
9	CSA4302001	2	垫圈	WASHER	
10	C021060106	1	螺母 M6	NUT 1 M6	
11	CSA4764001	1	压臂 R	STEPPING CLAMP ARM R	
12	C017061213	1	螺栓 M6X12	BOLT M6X12	
13	CSA4765001	1	压臂 F	STEPPING CLAMP ARM F	
14	C012060636	1	螺钉 M6X6	SET SCREW SOCKET (FT) M6X6	
15	CS23651001	1	固定螺钉 M6X6	SET SCREW SOCKET (FT) M6X6	
16	CSA4766001	1	压臂轴套 F	BUSH STEPPING CLAMP F	
17	CSA4767001	1	压臂轴套 R	BUSH STEPPING CLAMP R	
18	CSA4768001	1	间歇连杆 A	STEPPING CLAMP LINK A	
19	CSA4769101	4	段螺钉 6	SHOULDER SCREW 6	
20	C062300416	4	螺钉 M3X4	SCREW PAN M3X4	
21	CSA4770001	1	间歇连杆 B	STEPPING CLAMP LINK B	
22	CSA4772001	1	间歇连杆	STEPPING CLAMP LINK	
23	CSA4773001	1	连杆轴	SHAFT STEPPING CLAMP LINK	
24	C012060636	1	螺钉 M6X6	SET SCREW SOCKET (FT) M6X6	
25	C012400436	1	螺钉 M4X4	SET SCREW SOCKET (FT) M4X4	
26	CSA4777001	1	联接板	STEPPING CLAMP LIFTER LINK	
27	CSA4771001	1	联接板轴	SHAFT STEPPING CLAMP LIFT LINK	
28	CSA2161001	1	垫圈	WASHER	
29	C048080142	1	轴用挡圈 C8	RETAINING RING EXTERNAL C8	
30	C012060636	1	螺钉 M6X6	SET SCREW SOCKET (FT) M6X6	
31	C012400436	1	螺钉 M4X4	SET SCREW SOCKET (FT) M4X4	
32	CSA4779001	1	间歇提升杆	STEPPING CLAMP LIFTER	
33	CSA4781001	1	提升杆滑轮	ROLLER STEPPING CLAMP LIFTER	
34	C141362001	1	滚轮	ROLLER	
35	CSA4780001	1	提升杆轴	SHAFT STEPPING CLAMP LIFTER	
36	C012060636	1	螺钉 M6X6	SET SCREW SOCKET (FT) M6X6	
37	CS25310101	1	螺钉 M4	SCREW, FLAT M4	
38	CSA8683001	1	间歇提升连杆	STEPPING CLAMP LIFTER ROD	
39	CSA4853001	1	提升连杆接头	JOINT STEPPING CLAMP LIFTER	
40	CSA8684001	2	球接头组件	ROUND JOINT ASSY	
41	C021060306	2	六角螺母 M6	NUT 3 M6	
42	CSA3227001	1	螺母 M6	NUT(FT), M6	
43	CSA8688001	1	橡皮管套	RUBBER BUSH	
44	CSA6572001	1	油线 L=140	WICK L=140	
45	CSA8912001	2	橡皮管	RUBBER TUBE	
46	CS04159000	1	线夹 1M	BAND 1M	
47	CSA8689001	1	螺钉 M6X12	SCREW M6X12	
48	C017061612	1	六角螺栓 M6X16	BOLT M6X16	
49	C017065002	1	螺栓 M6X50	BOLT M6X50	
50	C021060106	1	螺母 M6	NUT 1 M6	
51	CSA4778001	1	压紧杆接头	PRESSER BAR CLAMP	
52	C018400836	1	螺栓 M4X8	BOLT SOCKET M4X8	
53	CSA1174001	1	调节螺栓 M14	PRESSER ADJUSTING SCREW, M14	
54	CSA1175001	1	调节螺母 M14	ADJUST SCREW NUT	
55	CSA5300001	1	弹簧	PRESSER BAR SPRING	
56	CS10112101	1	弹簧导向	PRESSER BAR SPRING GUIDE	
57	CSA5301001	1	弹簧管套	COLLAR PRESSER BAR SPRING	
58	CSA2195001	1	压紧杆轴套	PRESSER BAR BUSH	
59	C012060536	1	螺钉 M6X5	SET SCREW, SOCKET (FT) M6X5	
60	C111466121	1	压紧杆	PRESSER BAR	
61	CS42843001	1	压脚 A	PRESSER FOOT, A	
62	CS13399001	1	螺钉 SM3.57X12	SCREW, SM3.57X12	
63	CSA8690001	2	间歇提升连杆支架	HOLDER STEP-CLAMP LIFTER ROD	
64	C018402536	2	螺栓 M4X25	BOLT SOCKET M4X25	

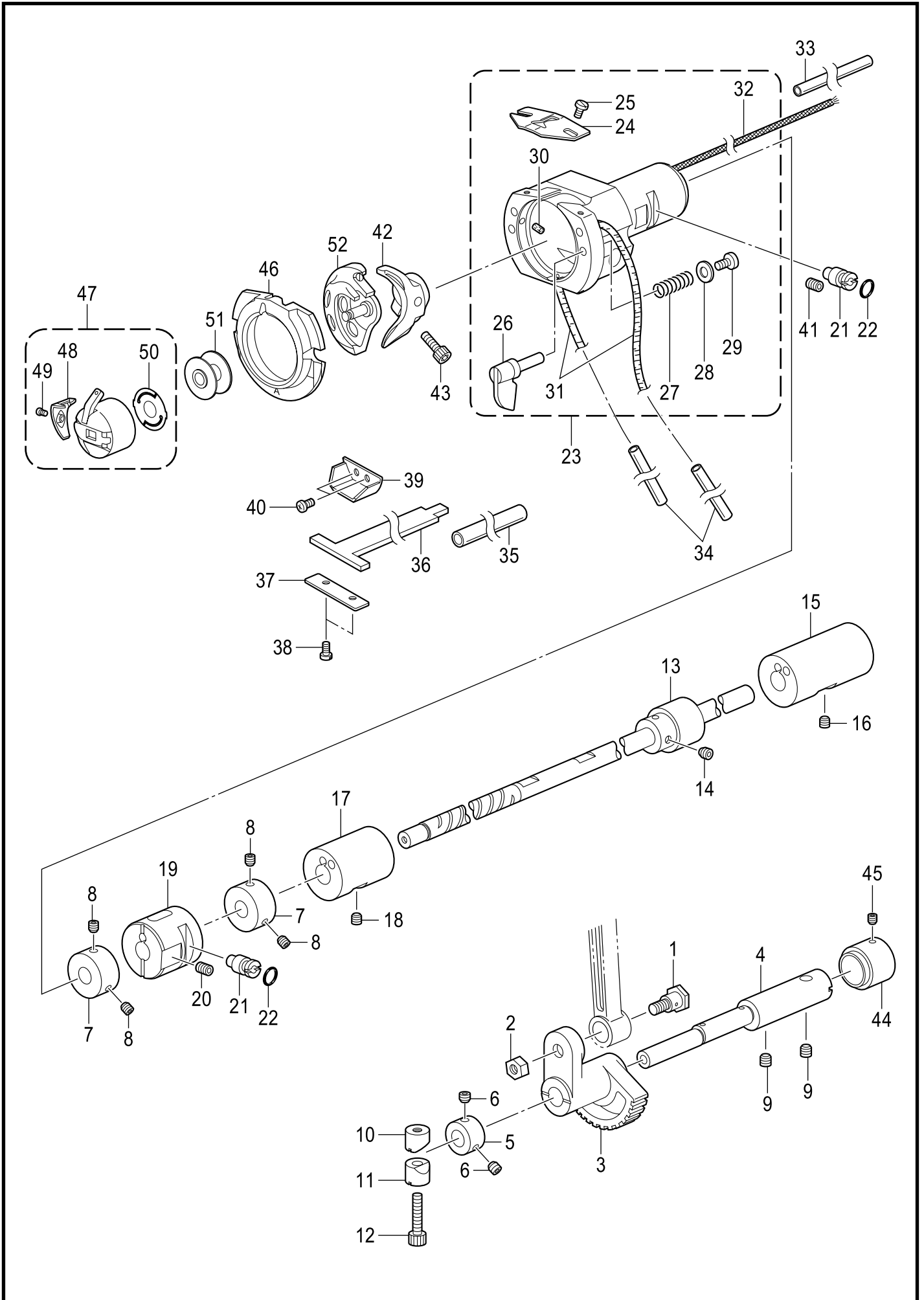
D2 . 抬压装置 / Work clamp lifter mechanism



D2. 抬压装置 / Work clamp lifter mechanism

参照号	零部件序号	数量	零部件名称	NAME OF PARTS	RM
1	CSA4741101	1	马达座	MOTOR BRACKET	
2	CSA4742001	1	压脚马达板	WORK CLAMP MOTOR PLATE	
3	C018501036	2	螺栓 M5X10	BOLT SOCKET M5X10	
4	CSA4826501	1	脉冲马达组件 P	PULSE MOTOR ASSY P	
5	C018401036	4	螺栓 M4X10	BOLT SOCKET M4X10	
6	CSA4743001	1	驱动齿轮	WORK CLAMP DRIVING GEAR	
7	C012060636	2	螺钉 M6X6	SET SCREW SOCKET (FT) M6X6	
8	CSA4744001	1	压脚支点轴	WORK CLAMP FULCRUM SHAFT	
9	CSA4647001	2	球轴承 6900ZZNR	BALL BEARING 6900ZZNR	
10	C048100142	2	轴用挡圈 C10	RETAINING RING EXTERNAL C10	
11	C062400616	1	螺钉 M4X6	SCREW PAN M4X6	
12	C025040236	1	平垫圈 M4	WASHER PLAIN M 4	
13	CSA4745001	1	凸轮齿轮	WORK CLAMP CAM GEAR	
14	C016061031	1	螺钉 M6X10	SET SCREW SOCKET (CN) M6X10	
15	C012060636	1	螺钉 M6X6	SET SCREW SOCKET (FT) M6X6	
16	CSA4747001	1	压脚原点挡块	WORK CLAMP H-POSITION DOG	
17	C018400636	1	螺栓 M4X6	BOLT SOCKET M4X6	
18	CSA4748101	1	压脚柄轴	WORK CLAMP LEVER SHAFT	
19	C012060636	1	螺钉 M6X6	SET SCREW SOCKET (FT) M6X6	
20	CSA6210001	1	间歇驱动杆	STEPPING W-CLAMP DRIVING LEVER	
21	CSA3441001	1	抬压滚轮轴	W-CLAMP LIFTER ROLLER SHAFT	
22	C070696800	1	轴承 R-696ZZ	BALL BEARING RADIAL 696ZZ	
23	C109763001	1	垫圈	WASHER	
24	C012500536	1	螺钉 M5X5	SET SCREW SOCKET (FT) M5X5	
25	C012060636	1	螺钉 M6X6	SET SCREW SOCKET (FT) M6X6	
26	CSA4757101	1	紧圈	SET SCREW COLLAR	
27	C012060636	2	螺钉 M6X6	SET SCREW SOCKET (FT) M6X6	
28	C018061236	2	螺栓 M6X12	BOLT SOCKET M6X12	
29	CSA4753001	1	压脚传感器板	WORK CLAMP SENSOR PLATE	
30	C062400616	2	螺钉 M4X6	SCREW PAN M4X6	

E . 下轴装置 / Lower shaft mechanism



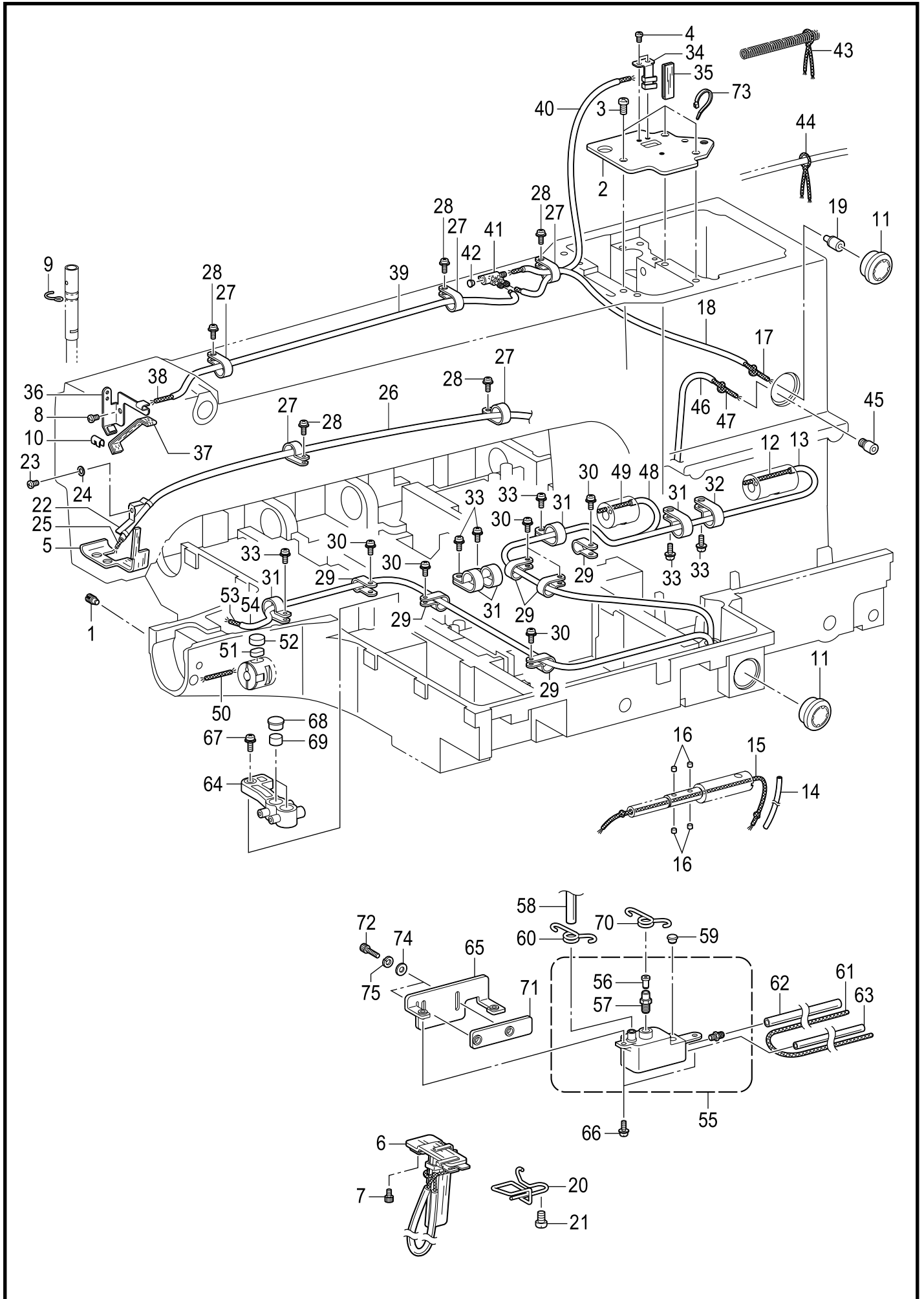
E. 下轴装置 / Lower shaft mechanism

参照号	零部件序号	数量	零部件名称	NAME OF PARTS	RM
1	CSA3226001	1	段螺钉	SHOULDER SCREW	
2	CSA3227001	1	螺母 M6	NUT(FT), M6	
3	CSA3228101	1	摆动齿轮	ROCK GEAR	
4	CSA4782001	1	摆动齿轮轴	ROCK GEAR SHAFT	
5	CSA3231001	1	紧圈 B	SET SCREW COLLAR, B	
6	C012060536	2	螺钉 M6X5	SET SCREW, SOCKET (FT) M6X5	
7	CSA8695001	2	紧圈	SET SCREW COLLAR	
8	CS23651001	4	固定螺钉 M6X6	SET SCREW SOCKET (FT) M6X6	
9	C012060636	2	螺钉 M6X6	SET SCREW SOCKET (FT) M6X6	
10	CSA8696001	1	紧固套管 A	PINCH SLEEVE A	
11	CSA8697001	1	紧固套管 B	PINCH SLEEVE B	
12	C018402036	1	螺栓 M4X20	BOLT SOCKET M4X20	
13	CSA8698001	1	下轴组件	LOWER SHAFT ASSY	
14	C012500536	1	螺钉 M5X5	SET SCREW SOCKET (FT) M5X5	
15	CSA8701001	1	下轴轴套	LOWER SHAFT BUSH	
16	C012060636	1	螺钉 M6X6	SET SCREW SOCKET (FT) M6X6	
17	CSA8702001	1	下轴中轴套	LOWER SHAFT M BUSH	
18	C012060636	1	螺钉 M6X6	SET SCREW SOCKET (FT) M6X6	
19	CSA8703001	1	下轴调整轴套	LOWER SHAFT A-BUSH	
20	C012061036	1	螺钉 M6X10	SET SCREW SOCKET (FT) M6X10	
21	CSA3238101	2	旋梭调节轴	ADJUSTING STUD	
22	C081003670	2	O形圈 PW3	O RING PW3	
23	CSA8705001	1	旋梭基座组件	SHUTTLE RACE BASE ASSY	
24	CS02429201	1	旋梭线导向	SHUTTLE RACE THREAD GUIDE	
25	CSA4199001	2	螺钉 M3X4	SCREW M3X4	
26	CSA3241001	2	大旋梭固定柄	S-RACE BASE SETTING CLAW	
27	C152684101	2	弹簧	COMPRESSION SPRING	
28	C026030136	2	平垫圈 S3	WASHER PLAIN S 3	
29	C062300616	2	螺钉 M3X6	SCREW PAN M3X6	
30	C153050000	2	油毡	S-RACE BASE FELT	
31	CSA8707001	2	油毡	FELT	
32	CSA9004001	1	油线 6X6	WICK 6X6	
33	CSA8709001	1	油管	OIL TUBE	
34	CSA8710001	2	油管	OIL TUBE	
35	CSA8711001	1	油管	OIL TUBE	
36	CSA8712101	1	油毡	FELT	
37	CSA8713001	1	油毡支撑板	FELT HOLDER	
38	CS44924001	2	固定螺钉 M3X5.5	SCREW M3X5.5	
39	CSA3274101	1	油毡支架	FELT HOLDER	
40	CS47307001	2	螺钉 M3X4	SCREW, M3X4	
41	C012061036	1	螺钉 M6X10	SET SCREW SOCKET (FT) M6X10	
42	CSA3284101	1	梭托 D	DRIVER D	
43	C018501236	1	螺栓 M5X12	BOLT SOCKET M5X12	
44	CSA3283101	1	紧圈 R	SET SCREW COLLAR, R	
45	C012500536	1	螺钉 M5X5	SET SCREW SOCKET (FT) M5X5	
46	C152686201	1	外旋梭 B	SHUTTLE RACE BASE B	
47	CS59221201	1	梭芯套组件 LC	BOBBIN CASE ASSY LC	
48	CS48664001	1	夹线簧 AN	TENSION SPRING, AN	
49	CS16492101	1	螺钉	BOBBIN CASE SPRING SCREW	
50	CS15667001	1	防空转弹簧	ANTI-SPIN SPRING	
51	CS44633001	1	梭芯 LAN	BOBBIN LAN	
52	CSA8197101	1	中旋梭组件 SA8196	SHUTTLE HOOK ASSY W/BOXSA8196	

F. 供油润滑装置 / Lubrication

参照号	零部件序号	数量	零部件名称	NAME OF PARTS	RM
1	CSA3244001	1	螺钉	SET SCREW	
2	CSA4785101	1	曲柄盖	CRANK COVER	
3	C062061016	3	螺钉 M6X10	SCREW PAN M6X10	
4	C062400616	2	螺钉 M4X6	SCREW PAN M4X6	
5	CSA4786101	1	油毡	FELT	
6	CSA8714001	1	齿轮油毡组件	GEAR FELT ASSY	
7	C018400636	2	螺栓 M4X6	BOLT SOCKET M4X6	
8	C062400616	1	螺钉 M4X6	SCREW PAN M4X6	
9	CSA6087001	1	油线挂钩	WICK SUPPORT	
10	C104567101	1	油线支架	WICK SUPPORT	
11	C152948001	2	油视窗	OIL GAUGE WINDOW	
12	CSA8783001	1	油线 6X6	WICK 6X6	
13	CSA8784001	1	油管	OIL TUBE	
14	CSA5072001	1	油管 L=120	OIL TUBE L=120	
15	CSA6578001	1	油线 6X6 L=300	WICK 6X6 L=300	
16	CS09043000	4	滤油毡 (L=5)	FELT	
17	CS49982000	1	油线 4X4 L=400	WICK, 4X4 L=400	
18	CS48189000	1	油管 L=280	OIL TUBE, L=280	
19	CSA5339101	1	油嘴管	OIL FEEDING PIPE	
20	CSA4789101	1	油线夹 B	LOWER SHAFT WICK SUPPORT B	
21	C062060816	1	螺钉 M6X8	SCREW PAN M6X8	
22	C145547001	1	回油管管托	TUBE HOLDER	
23	C062400616	1	螺钉 M4X6	SCREW PAN M4X6	
24	C026040136	1	平垫圈 S4	WASHER PLAIN S 4	
25	CSA8717001	1	油线 4X4	WICK 4X4	
26	CSA8718001	1	油管	OIL TUBE	
27	C525567000	5	电线夹 #8	CORD HOLDER #8	
28	C0A5401006	5	螺栓(带垫圈) M4X10DB	SCREW PAN (S/P WASHER) M4X10	
29	C525567000	6	电线夹 #8	CORD HOLDER #8	
30	C0A5401006	6	螺栓(带垫圈) M4X10DB	SCREW PAN (S/P WASHER) M4X10	
31	C552907000	5	电线夹 #10	CORD HOLDER #10	
32	C554482000	1	电线夹 #12	CORD HOLDER #12	
33	C0A5401006	6	螺栓(带垫圈) M4X10DB	SCREW PAN (S/P WASHER) M4X10	
34	CSA4787001	1	曲柄供油板	CRANK WICK PLATE	
35	CSA5294001	1	毡油线 L=90	FLAT WICK L=90	
36	CSA4788001	1	供油支架	WICK SUPPORT	
37	CSA6593001	1	毡油线 L=180	FLAT WICK L=180	
38	CSA8720001	1	油线 3X3	WICK 3X3	
39	CSA8721001	1	油管	OIL TUBE	
40	CSA6576001	1	油管 L=210	OIL TUBE L=210	
41	CS38265000	1	管接头 L	TERMINAL, L	
42	C142274101	1	橡皮塞 4.2	RUBBER CAP, 4.2	
43	CSA6572001	1	油线 L=140	WICK L=140	
44	CSA6572001	1	油线 L=140	WICK L=140	
45	CSA8722001	1	油嘴管	OIL FEEDING PIPE	
46	CSA8723001	1	油管	OIL TUBE	
47	CSA8724001	1	油线 6X6	WICK 6X6	
48	CSA8725001	1	油管	OIL TUBE	
49	CSA8726001	1	油线 6X6	WICK 6X6	
50	CSA8727001	1	油线 6X6	WICK 6X6	
51	CSA8728001	1	油毡	FELT	
52	CSA8729001	1	油毡	FELT	
53	CSA8708001	1	油线 6X6	WICK 6X6	
54	CSA8785001	1	油管	OIL TUBE	
55	CSA8732001	1	副油罐组件	SUB-TANK ASSY	
56	CSA3060001	1	油门垫片	VALVE PACKING	
57	CSA3040001	1	油嘴管	OIL FEEDING PIPE	
58	CSA8733001	1	油管	OIL TUBE	
59	C104450101	1	橡皮塞 8	RUBBER CAP, 8	
60	CSA3055101	1	油管夹	TUBE CLIP	
61	CSA8734001	1	油毡	FELT	
62	CSA8735001	1	油管	OIL TUBE	
63	CSA8786001	1	油管	OIL TUBE	

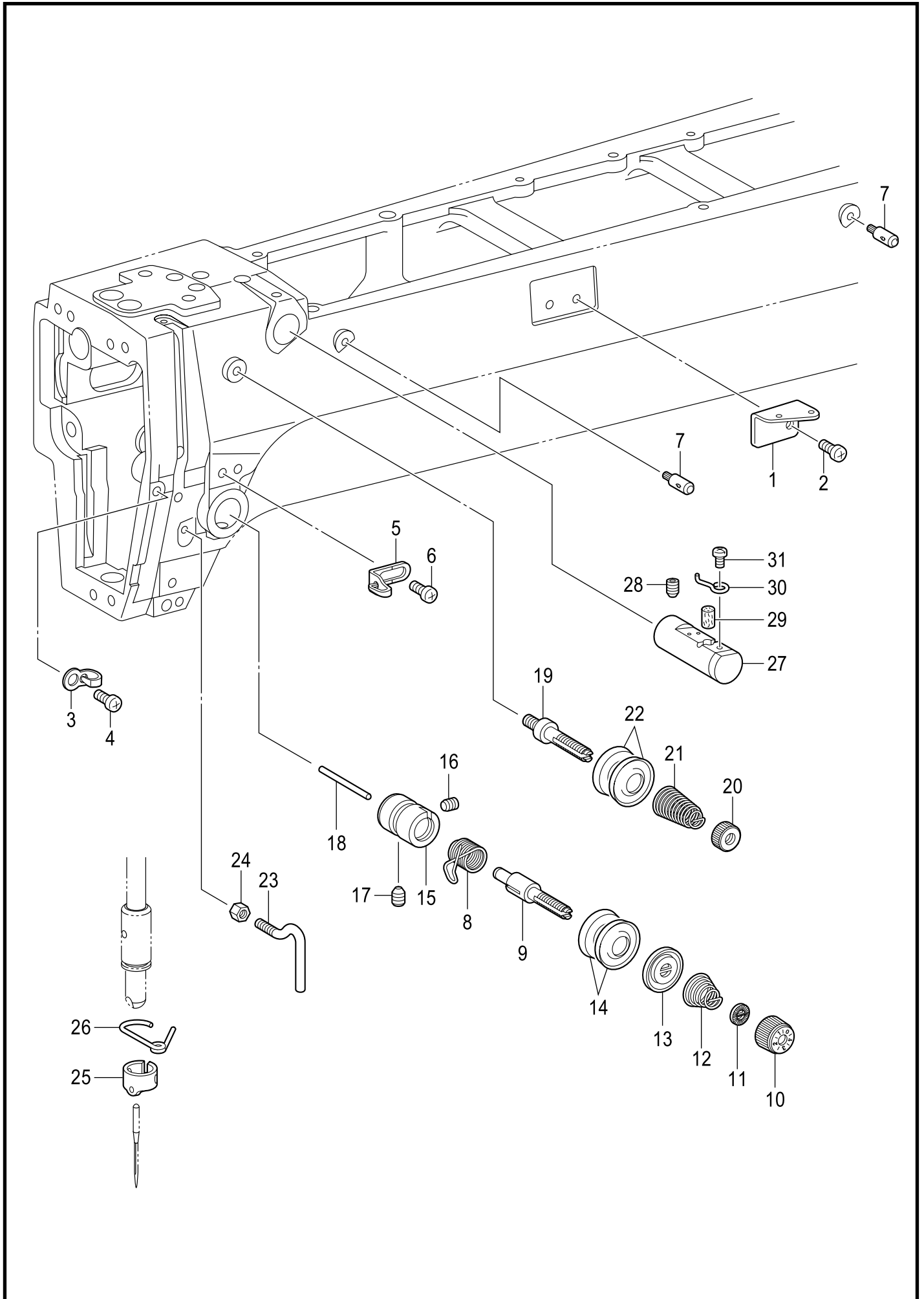
F. 供油润滑装置 / Lubrication



F. 供油润滑装置 / Lubrication

参照号	零部件序号	数量	零部件名称	NAME OF PARTS	RM
64	CSA3946001	1	油管接头	OIL TERMINAL	
65	CSA8736001	1	油板	OIL PLATE	
66	C0A5401006	2	螺栓(带垫圈) M4X10DB	SCREW PAN (S/P WASHER) M4X10	
67	C0A5401006	1	螺栓(带垫圈) M4X10DB	SCREW PAN (S/P WASHER) M4X10	
68	CSA2929001	2	橡皮塞 12.5	RUBBER CAP, 12.5	
69	CS38266000	2	油毡	ROTARY HOOK SHAFT FELT	
70	CSA3055101	1	油管夹	TUBE CLIP	
71	CSA4650001	1	Y-传感板	Y-SENSOR PLATE	
72	C018402036	2	螺栓 M4X20	BOLT SOCKET M4X20	
73	CS04159000	1	线夹 1M	BAND 1M	
74	C025040236	2	平垫圈 M4	WASHER PLAIN M 4	
75	C028040246	2	弹簧垫圈 2-4	WASHER SPRING 2-4	

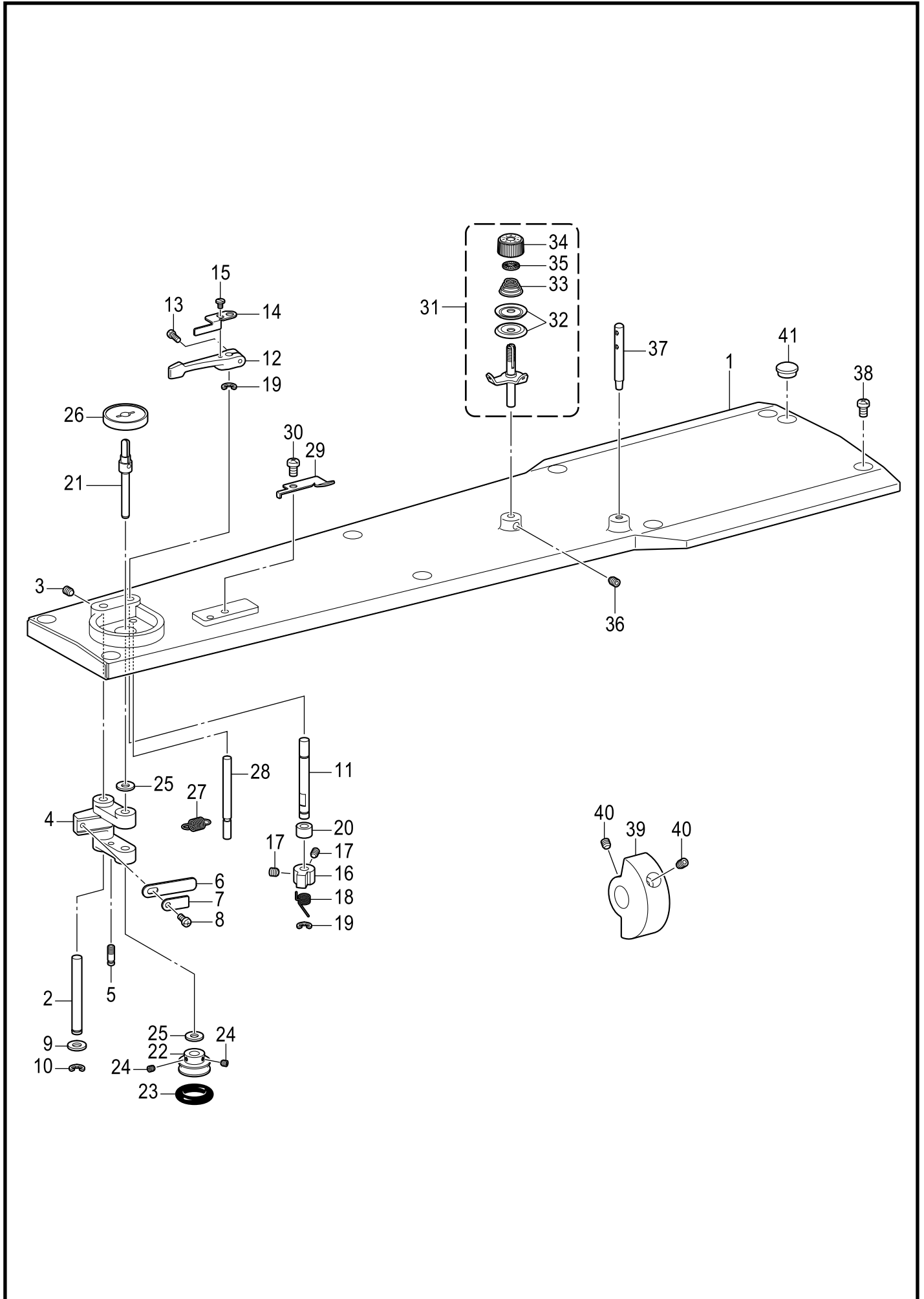
G. 穿线装置 / Threading mechanism



G. 穿线装置 / Threading mechanism

参照号	零部件序号	数量	零部件名称	NAME OF PARTS	RM
1	CSA3250001	1	过线导向 A	ARM THREAD GUIDE, A	
2	C062500616	1	螺钉 M5X6	SCREW PAN M5X6	
3	CSA4333001	1	过线导向 B	ARM THREAD GUIDE, B	
4	C062500616	1	螺钉 M5X6	SCREW PAN M5X6	
5	CSA6391001	1	过线器 C	ARM THREAD GUIDE C	
6	C062500616	1	螺钉 M5X6	SCREW PAN M5X6	
7	C153049001	2	面线导向杆	UPPER THREAD GUIDE STUD	
8	C144588301	1	挑线弹簧 B	THREAD TAKE-UP SPRING B	
9	CSA3255001	1	夹线杆轴	TENSION STUD	
10	CS31032001	1	压线螺母	TENSION NUT	
11	CS12441001	1	止动垫圈	WASHER	
12	C107606001	1	调节弹簧	TENSION SPRING H	
13	C159805001	1	夹线压盘	TENSION DISC PRESSER	
14	C145446001	2	夹线盘	DISC, TENSION	
15	CSA3254001	1	夹线座	TENSION BRACKET	
16	C100402004	1	固定螺钉 SM3.57	SET SCREW, SM3.57	
17	CSA4143001	1	螺钉 M6X6	SET SCREW, (FT) M6X6	
18	CS12699000	1	松线销	TENSION RELEASE PIN	
19	CSA3256001	1	夹线杆轴 A	TENSION STUD, A	
20	C100136001	1	夹线螺母	TENSION NUT	
21	CSA4146101	1	弹簧	SUB TENSION SPRING	
22	C145446001	2	夹线盘	DISC, TENSION	
23	CSA8691001	1	机壳线钩	THREAD GUIDE ARM	
24	C021400306	1	六角螺母 M4	NUT 3 M4	
25	CSA3257101	1	针杆线导向 A	NEEDLE BAR THREAD GUIDE, A	
26	CSA3258001	1	针杆轴套线导向 D	N-BAR BUSH THREAD GUIDE, D	
27	C152881001	1	线冷却器组件	NEEDLE COOLER ASSY	
28	C012060636	1	螺钉 M6X6	SET SCREW SOCKET (FT) M6X6	
29	C152883000	1	油毡 8X15.5	FELT, 8X15.5	
30	C152884001	1	过线钩	NEEDLE COOLER THREAD GUIDE	
31	C062670412	1	螺钉 SM3.57-40X4	SCREW PAN SM3.57-40X4	

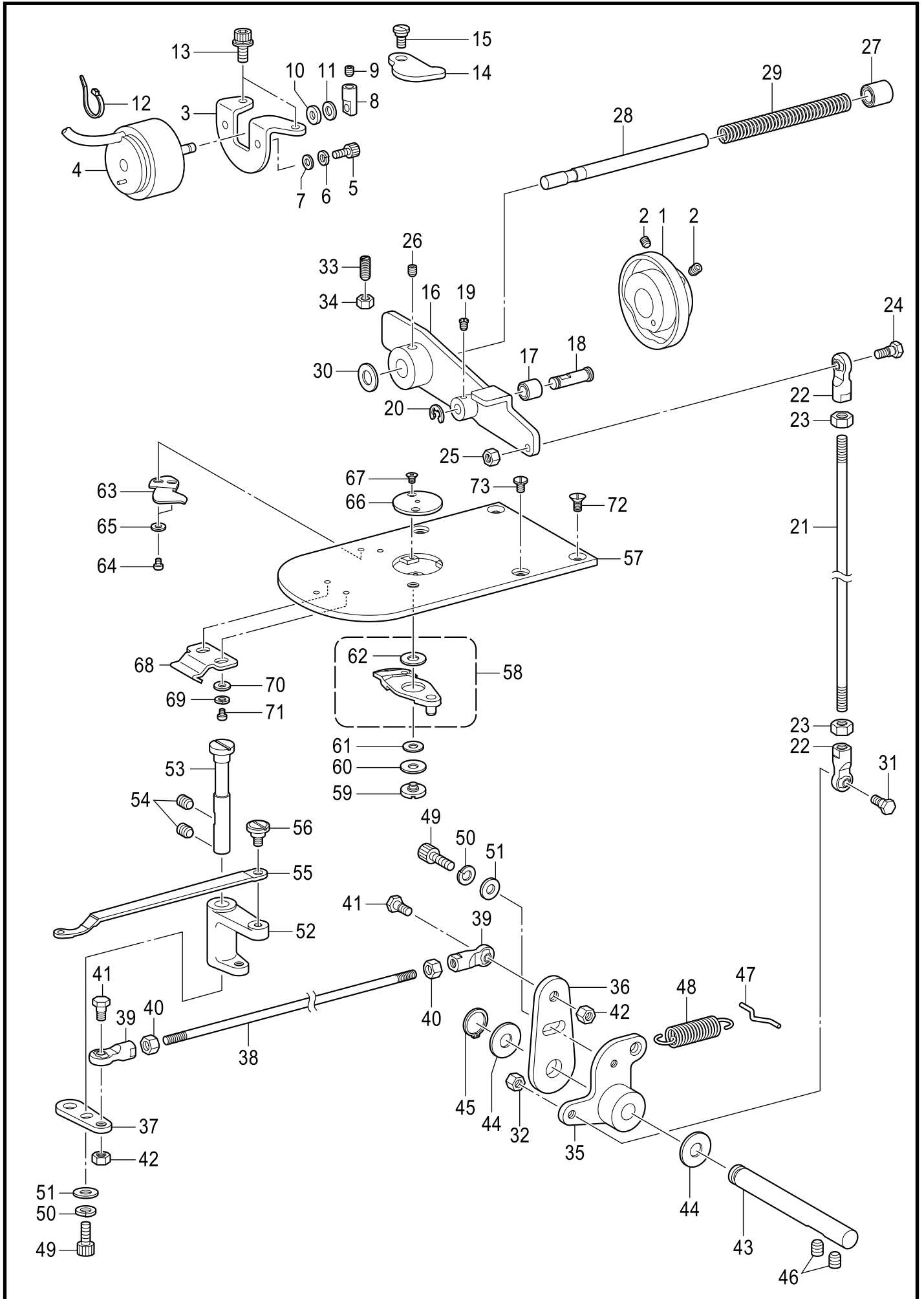
H. 卷线装置 / Bobbin winder mechanism



H. 卷线装置 / Bobbin winder mechanism

参照号	零部件序号	数量	零部件名称	NAME OF PARTS	RM
1	CSA8650001	1	上盖	TOP COVER	
2	CSA3290001	1	卷线手柄轴	SHAFT, BW-LEVER	
3	C012500536	1	螺钉 M5X5	SET SCREW SOCKET (FT) M5X5	
4	CSA3291001	1	卷线手柄	BOBBIN WINDER LEVER	
5	CSA4171001	1	弹簧挂钩	SPRING HOOK	
6	C152936001	1	板弹簧	PLATE SPRING	
7	C152937001	1	垫圈	WASHER	
8	C062350616	1	螺钉 M3.5X6	SCREW PAN M3.5X6	
9	C159486001	1	垫圈	WASHER	
10	C048050342	1	挡圈 E5	RETAINING RING E5	
11	CSA3293001	1	卷线卡爪轴	STUD B-WINDER CLAW	
12	CSA1984001	1	梭芯压臂柄	BOBBIN PRESSER ARM	
13	C062401216	1	螺钉 M4X12	SCREW PAN M4X12	
14	CSA3294001	1	梭芯压杆	BOBBIN PRESSER	
15	CS23418002	1	螺钉 M4X5	SCREW M4X5	
16	CSA3295001	1	卷线卡爪	CLAW, B-WINDER	
17	C012400436	2	螺钉 M4X4	SET SCREW SOCKET (FT) M4X4	
18	CS10438001	1	弹簧	SPRING, TWIST	
19	C048050342	2	挡圈 E5	RETAINING RING E5	
20	CSA4796001	1	垫管	SPACER COLLER	
21	CSA3296001	1	卷线轴	BOBBIN WINDER SHAFT	
22	CSA3297001	1	卷线器	WHEEL, B-WINDER	
23	C120448001	1	橡皮圈	BOBBIN WINDER RUBBER BAND	
24	C012400436	2	螺钉 M4X4	SET SCREW SOCKET (FT) M4X4	
25	C159486001	2	垫圈	WASHER	
26	CSA1988001	1	梭芯座	BOBBIN SUPPORT	
27	CS10268001	1	拉簧	SPRING	
28	CSA3298001	1	止动轴	STPPER SHAFT, B-WINDER	
29	CSA3299001	1	切刀	KNIFE	
30	C062500616	1	螺钉 M5X6	SCREW PAN M5X6	
31	CSA1994101	1	卷线器夹线组件	BOBBIN WINDER TENSION ASSY	
32	C145446002	2	夹线盘	DISC, TENSION	
33	C100401022	1	夹线弹簧	TENSION SPRING	
34	CS31032001	1	压线螺母	TENSION NUT	
35	CS12441001	1	止动垫圈	WASHER	
36	C012500536	1	螺钉 M5X5	SET SCREW SOCKET (FT) M5X5	
37	CSA1359001	1	穿线杆	SPOOL PIN	
38	C062061016	6	螺钉 M6X10	SCREW PAN M6X10	
39	CSA4797101	1	卷线驱动轮	DRIVING WHEEL B-WINDER	
40	CS23651001	2	固定螺钉 M6X6	SET SCREW SOCKET (FT) M6X6	
41	C117934001	1	橡皮塞 13.5	RUBBER CAP, 13.5	

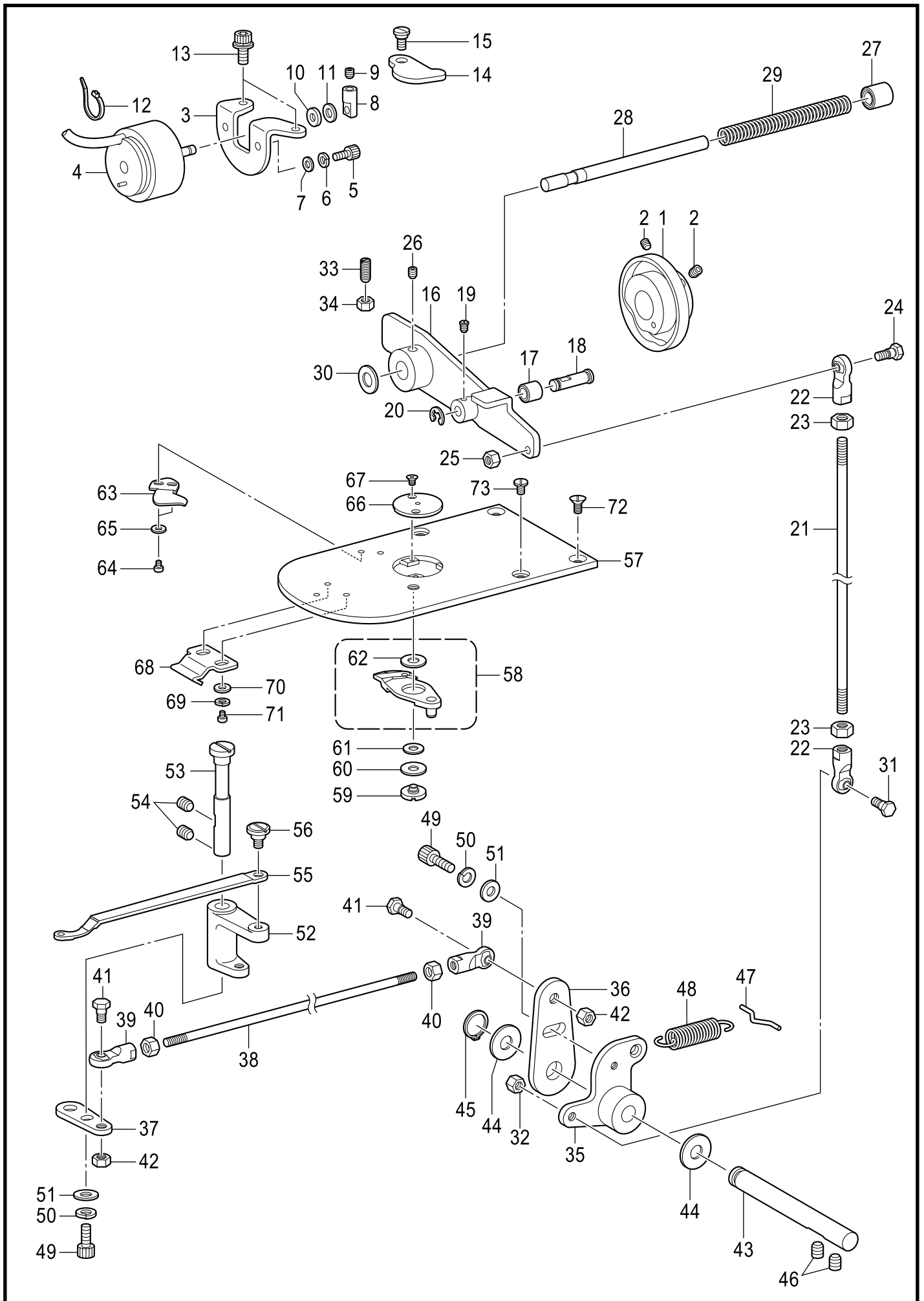
J. 切线装置 / Thread trimmer mechanism



J. 切线装置 / Thread trimmer mechanism

参照号	零部件序号	数量	零部件名称	NAME OF PARTS	RM
1	CSA3301101	1	切线凸轮	THREAD TRIMMER CAM	
2	CS23651001	2	固定螺钉 M6X6	SET SCREW SOCKET (FT) M6X6	
3	CSA4798001	1	电磁铁安装板	SETTING PLATE SOLENOID	
4	CSA5135101	1	切线电磁铁	THREAD TRIMMER SOLENOID	
5	C017400802	2	螺栓 M4X8	BOLT M4X8	
6	C028040246	2	弹簧垫圈 2-4	WASHER SPRING 2-4	
7	C026040236	2	平垫圈 M4	WASHER PLAIN M 4	
8	CSA3307001	1	电磁铁杆	SOLENOID LEVER	
9	C012400436	1	螺钉 M4X4	SET SCREW SOCKET (FT) M4X4	
10	C154599000	1	电磁铁缓冲垫圈	SOLENOID CUSHION	
11	CS02652001	1	垫圈	WASHER	
12	CS04159000	1	线夹1M	BAND 1M	
13	CS55484002	2	螺栓(带垫圈) M5X10	BOLT SOCKET (S/P WASHER) M5X10	
14	CSA4799001	1	驱动压杆	PUSHING LEVER D-LEVER	
15	CSA3306001	1	段螺钉 7-3	SHOULDER SCREW, 7-3	
16	CSA3309101	1	切线驱动杆	TR-DRIVING LEVER	
17	CSA3310001	1	切线滚轮	COLLAR, TR-TRIMMER	
18	CSA3311001	1	切线滚轮轴	COLLAR SHAFT	
19	CS46903001	1	螺钉M4X5	SET SCREW, M4X5	
20	C048040342	1	挡圈 E4	RETAINING RING E4	
21	CSA3315001	1	切线杆 V	THREAD TRIMMER ROD V	
22	CS32465101	2	接头组件	BALL JOINT ASSY	
23	C021060106	2	螺母 M6	NUT 1 M6	
24	CS32462001	1	段螺钉 B M6	SHOULDER SCREW, B; M6	
25	C021060306	1	六角螺母 M6	NUT 3 M6	
26	CS23651001	1	固定螺钉 M6X6	SET SCREW SOCKET (FT) M6X6	
27	C231071001	1	轴套 8X15	BUSH, 8X15	
28	CSA3312201	1	驱动杆导向轴	GUIDE SHAFT	
29	CSA3313101	1	弹簧	SPRING, COMPRESSION	
30	C154596000	1	减震垫圈	CUSHION	
31	CS32462001	1	段螺钉 B M6	SHOULDER SCREW, B; M6	
32	C021060306	1	六角螺母 M6	NUT 3 M6	
33	CS25475101	1	螺钉 M6X19	SET SCREW, M6X19	
34	C021060106	1	螺母 M6	NUT 1 M6	
35	CSA4546001	1	切线杠杆 V	THREAD TRIMMER LEVER V	
36	CSA3317001	1	切线杠杆 H	THREAD TRIMMER LEVER H	
37	CSA8652001	1	动刀杠杆 D	MOVING KNIFE LEVER	
38	CSA8654001	1	切线杆 H	THREAD TRIMMER ROD H	
39	CS32465101	2	接头组件	BALL JOINT ASSY	
40	C021060106	2	螺母 M6	NUT 1 M6	
41	CS32462001	2	段螺钉 B M6	SHOULDER SCREW, B; M6	
42	C021060306	2	六角螺母 M6	NUT 3 M6	
43	CSA3319101	1	切线杠杆轴	SHAFT TR-TRIMMER LEVER	
44	CSA4545001	2	垫片	SPACER	
45	C048080142	1	轴用挡圈 C8	RETAINING RING EXTERNAL C8	
46	C012060636	2	螺钉 M6X6	SET SCREW SOCKET (FT) M6X6	
47	CSA8655001	1	弹簧挂钩	SPRING HOOK	
48	CSA3321001	1	切线复位弹簧	SPRING, EXTENSION	
49	C018501236	2	螺栓 M5X12	BOLT SOCKET M5X12	
50	C028050246	2	弹簧垫圈 2-5	WASHER SPRING 2-5	
51	C146354002	2	垫圈 5	WASHER, PLAIN 5	
52	CSA8656001	1	动刀杆	MOVING KNIFE LEVER	
53	CSA8657001	1	动刀杆轴	SHAFT MOVABLE KNIFE LEVER	
54	C012060636	2	螺钉 M6X6	SET SCREW SOCKET (FT) M6X6	
55	CSA8658101	1	动刀连杆	M-KNIFE CONNECTING PLATE	
56	CSA4354001	1	段螺钉 6-1.8	SHOULDER SCREW, 6-1.8	
57	CSA5157101	1	针板 A	NEEDLE PLATE A	
58	CSA6596001	1	动刀复合件 F	MOVABLE KNIFE SET F	
59	CSA4518001	1	段螺钉	MOVABLE KNIFE SHOULDER SCREW	
60	CSA4519001	1	轴向垫圈	THRUST WASHER	
61	CS00705001	1	动刀圈套	MOVABLE KNIFE COLLAR	
62	CSA6397001	1	垫片 0.2	M-KNIFE SPACER T0.2	
62	CSA3334001	1	垫片 0.3	M-KNIFE SPACER T0.3	

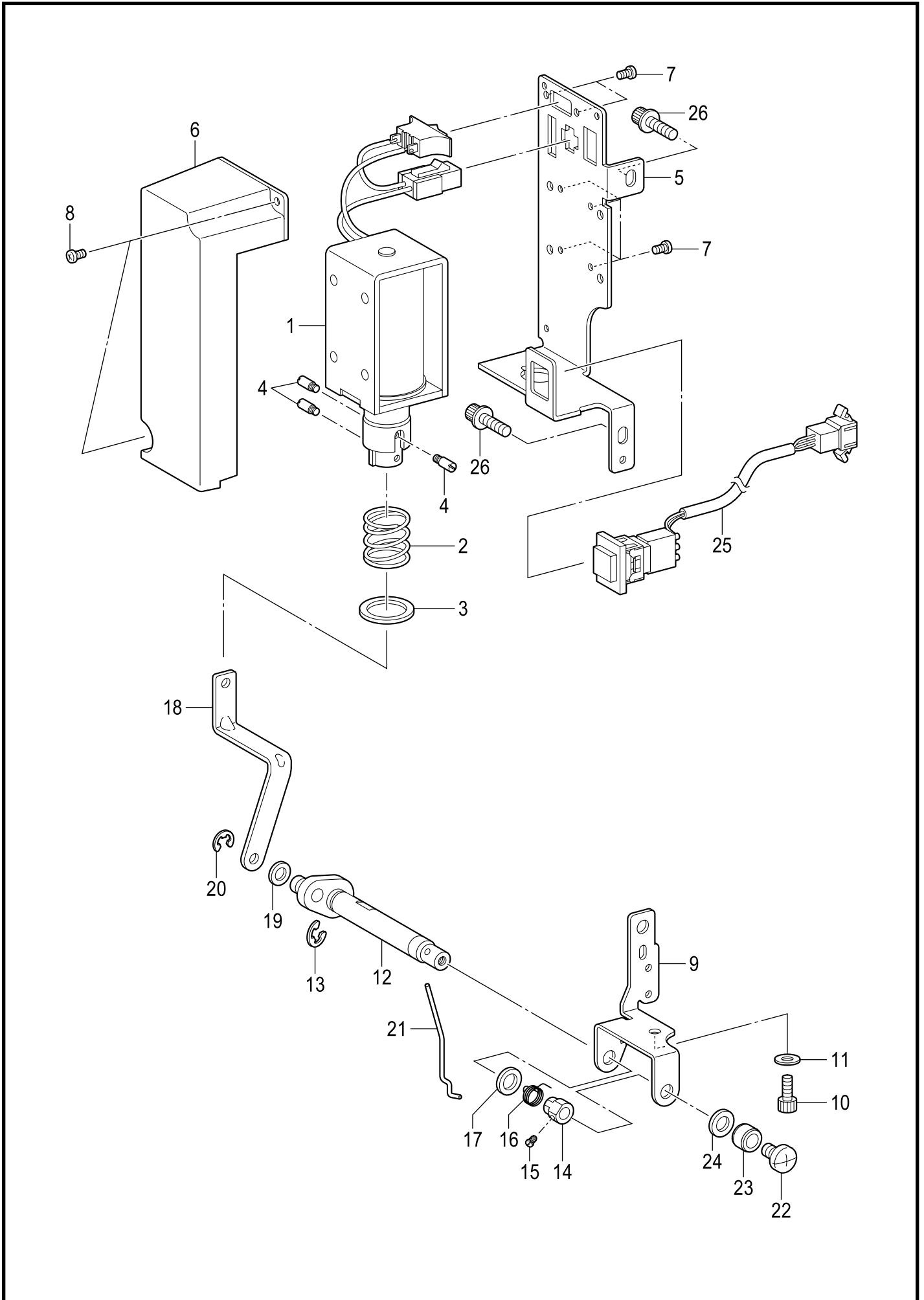
J. 切线装置 / Thread trimmer mechanism



J. 切线装置 / Thread trimmer mechanism

参照号	零部件序号	数量	零部件名称	NAME OF PARTS	RM
62	CSA6398001	1	垫片 0.4	M-KNIFE SPACER T0.4	
63	CSA7944001	1	固定刀 FL	FIXED KNIFE FL	
64	C062300416	2	螺钉 M3X4	SCREW PAN M3X4	
65	C025030236	2	平垫圈 M3	WASHER PLAIN M 3	
66	CSA3336101	1	针孔板 2.4C0.4	NEEDLE HOLE PLATE 2.4C0.4	
67	C100360003	2	螺钉 SM2.38	SCREW	
68	CSA6273101	1	大旋梭盖挂钩 U	SHUTTLE RACE COVER HOOK U	
69	C028030246	2	弹簧垫圈 2-3	WASHER SPRING 2-3	
70	C025030236	2	平垫圈 M3	WASHER PLAIN M 3	
71	C062300416	2	螺钉 M3X4	SCREW PAN M3X4	
72	CS25310101	2	螺钉 M4	SCREW, FLAT M4	
73	CSA3538001	2	螺钉 M4X8	SCREW, M4X8	

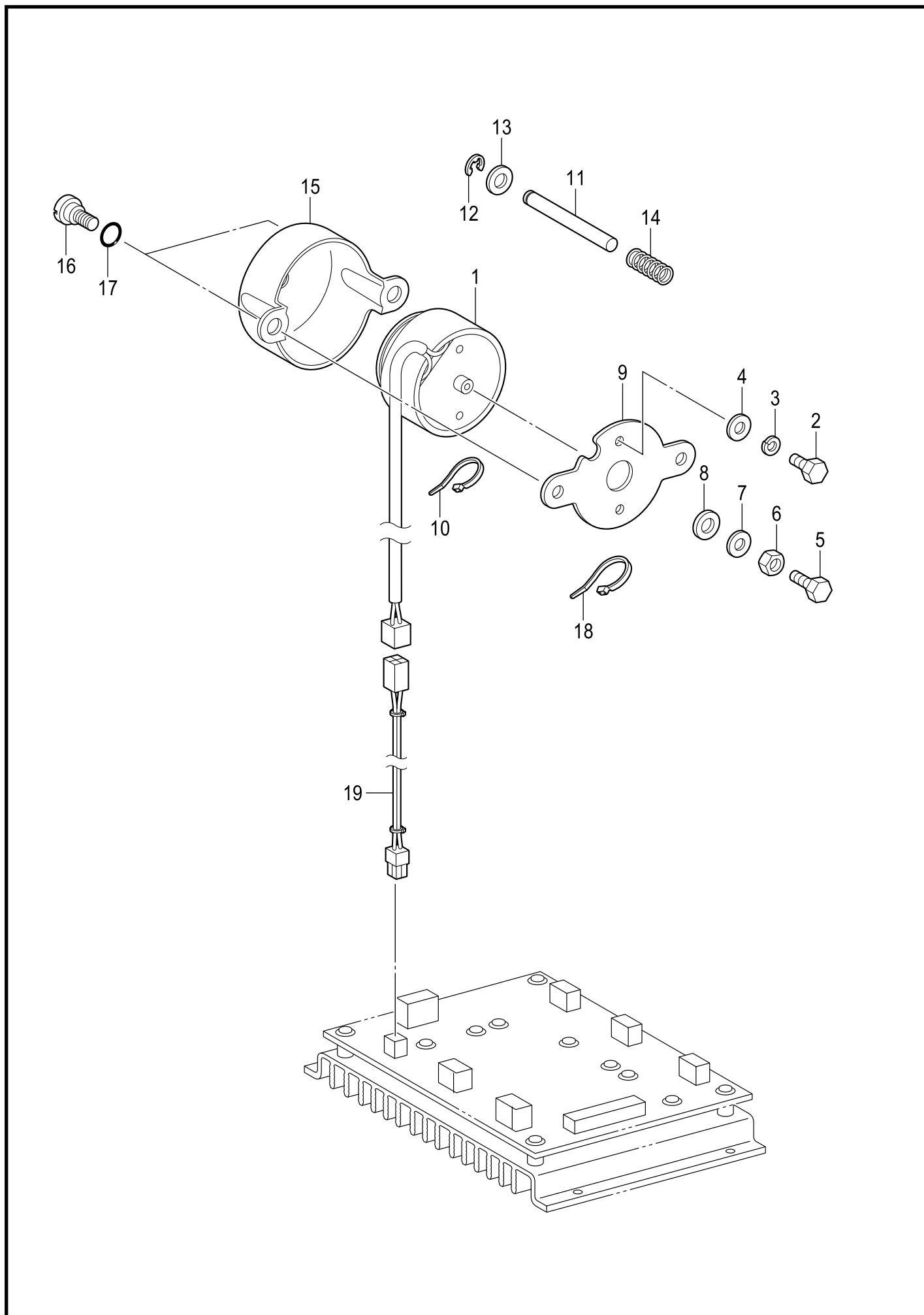
K. 扫线装置 / Thread wiper mechanism



K. 扫线装置 / Thread wiper mechanism

参照号	零部件序号	数量	零部件名称	NAME OF PARTS	RM
1	CSA5208001	1	扫线电磁铁组件	THREAD WIPER SOLENOID ASSY	
2	CS41206001	1	挡线弹簧	THREAD WIPER SPRING	
3	CS41205001	1	平垫圈	WASHER, PLAIN	
4	CS25456001	3	柱塞销	PLUNGER PIN	
5	CSA5217001	1	扫线电磁铁安装板	T-WIPER SOLENOID SETTING PLATE	
6	CSA4806001	1	电磁铁盖	SOLENOID COVER	
7	C 062300616	6	螺钉 M3X6	SCREW PAN M3X6	
8	C0A4300606	2	螺栓(带垫圈) M3X6DA	SCREW PAN (S/P WASHER) M3X6	
9	CSA5218001	1	扫线轴托架	THREAD WIPER SHAFT BRACKET	
10	C 018400836	1	螺栓 M4X8	BOLT SOCKET M4X8	
11	C 025040236	1	平垫圈 M4	WASHER PLAIN M 4	
12	CSA8057001	1	挡线曲柄组件	THREAD WIPER CRANK ASSY	
13	C048040342	1	挡圈 E4	RETAINING RING E4	
14	CS25454001	1	螺纹紧圈	SET SCREW COLLAR	
15	CS25279101	1	螺钉 M3.5-5	SET SCREW (CP) M3.5-5	
16	CSA2287001	1	弹簧	SPRING	
17	C149097000	1	消音垫	SILENT SHEET	
18	CSA5219001	1	扫线连杆	THREAD WIPER ROD	
19	C110735001	1	垫圈	WASHER	
20	C048030342	1	挡圈 E3	RETAINING RING E3	
21	CS10470201	1	扫线杆	WIPER	
22	C060400516	1	螺钉 M4X5	SCREW BIND M4X5	
23	C146288001	1	挡线轴挡圈	THREAD WIPER STUD COLLAR	
24	CS03677001	1	垫圈	WASHER	
25	CSA5213001	1	停止开关组件	STOP SWITCH ASSY	
26	CS55485001	2	螺栓(带垫圈) M5X12	BOLT SOCKET (S/P WASHER) M5X12	

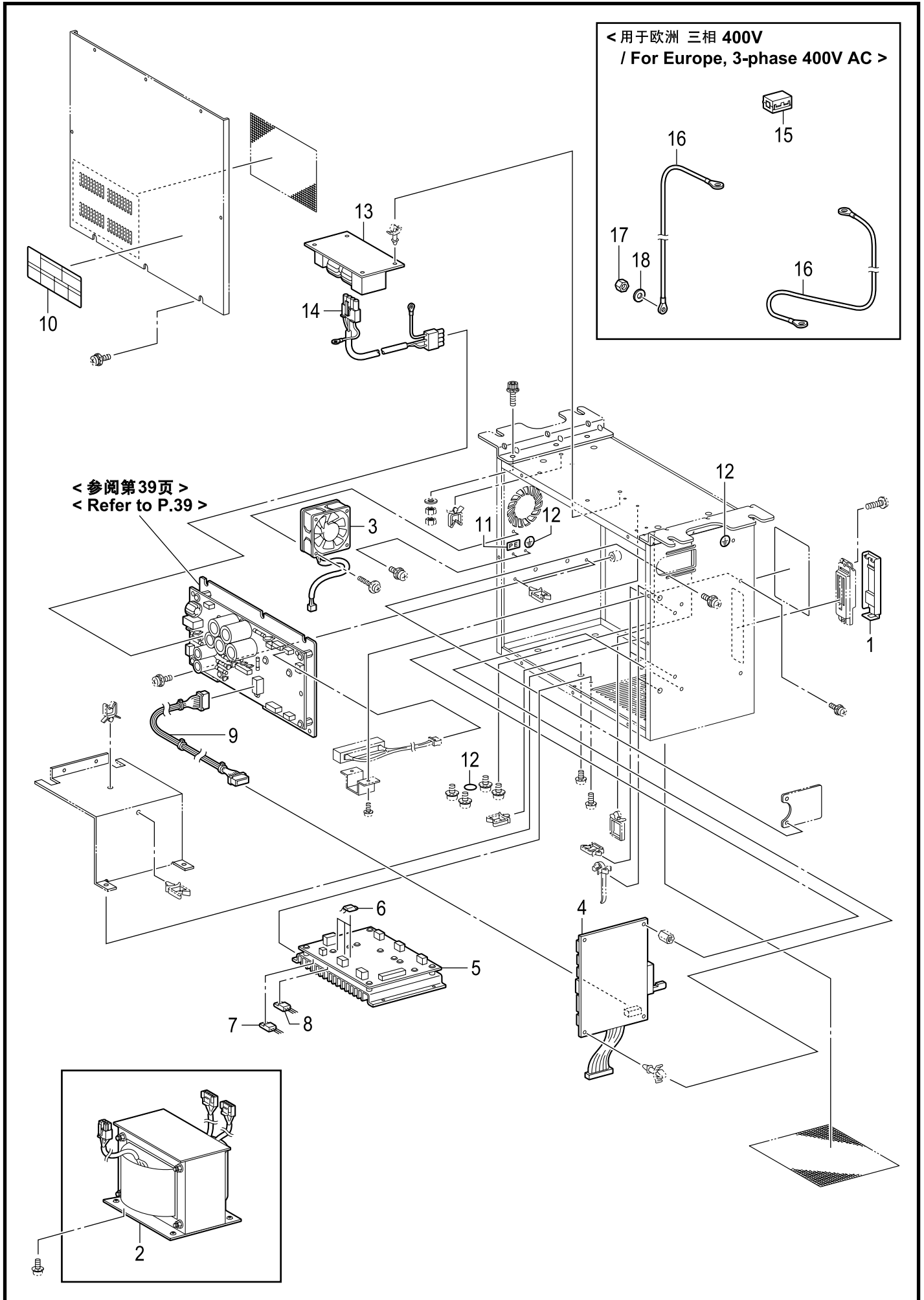
L . 松线装置 / Tension release mechanism



L. 松线装置 / Tension release mechanism

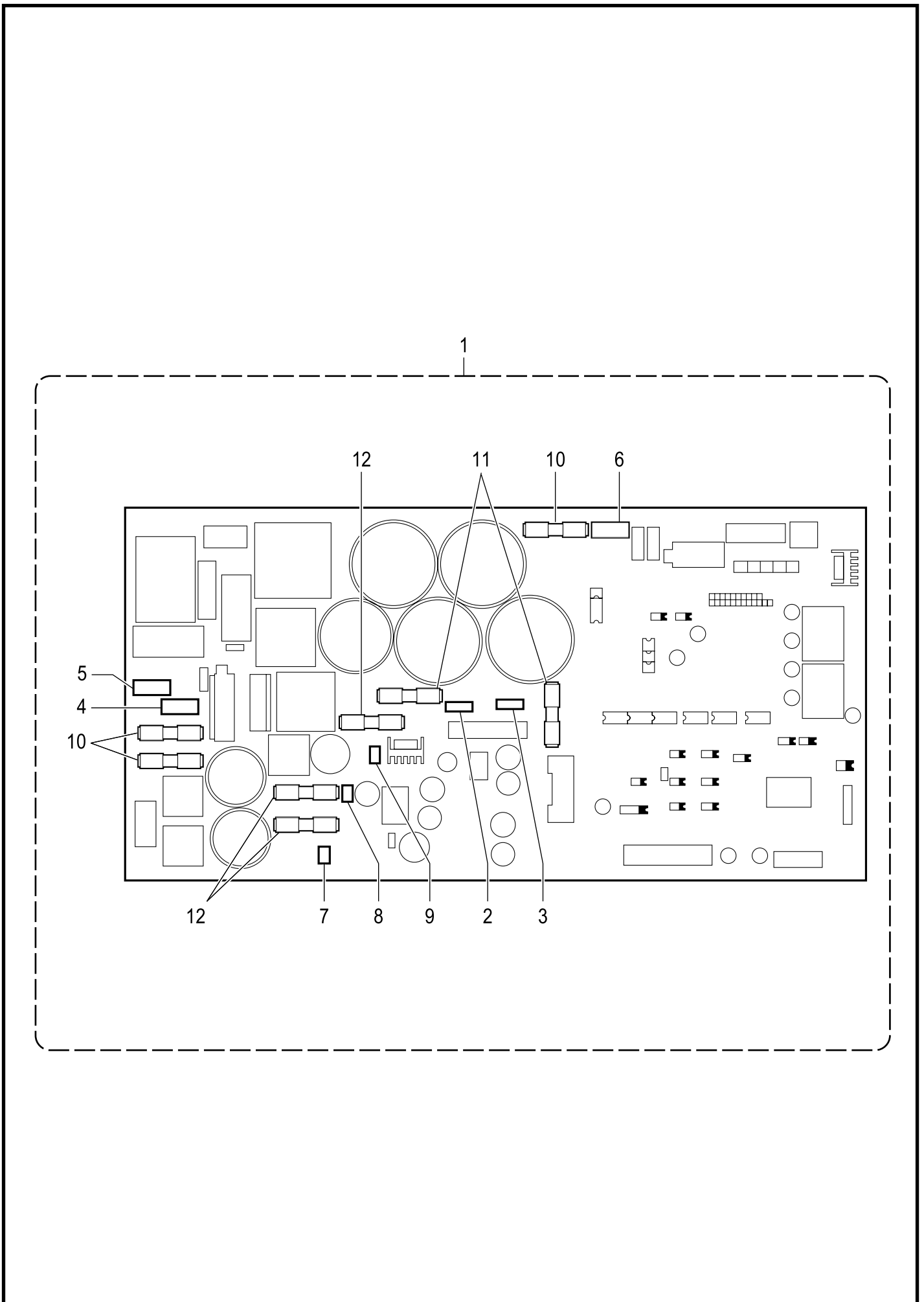
参照号	零部件序号	数量	零部件名称	NAME OF PARTS	RM
1	CSA4855001	1	松线电磁铁 HV	TENSION RELEASE SOLENOID HV	
2	C017400802	2	螺栓 M4X8	BOLT M4X8	
3	C028040246	2	弹簧垫圈 2-4	WASHER SPRING 2-4	
4	C026040236	2	平垫圈 M4	WASHER PLAIN M 4	
5	C017401415	1	螺栓 M4X14	BOLT M4X14	
6	C021400306	1	六角螺母 M4	NUT 3 M4	
7	C102707002	1	垫圈	WASHER	
8	C154599000	1	电磁铁缓冲垫圈	SOLENOID CUSHION	
9	CSA6389001	1	电磁铁安装板	SETTING PLATE SOLENOID	
10	CS04159000	1	线夹1M	BAND 1M	
11	CSA3347001	1	松线杆	TENSION RELEASE BAR	
12	C048040342	1	挡圈 E4	RETAINING RING E4	
13	C025050236	1	平垫圈 M5	WASHER PLAIN M 5	
14	CSA3348001	1	弹簧	SPRING, COMPRESSION	
15	CSA3349001	1	电磁铁盖	SOLENOID COVER	
16	CSA3306001	2	段螺钉 7-3	SHOULDER SCREW, 7-3	
17	C081007070	2	O形圈 P7	O RING P7	
18	CS04159000	1	线夹1M	BAND 1M	
19	CSA8529001	1	松线器接线 EXT	T-RELEASE EXTENSION HRANESS	

M1 . 控制箱装置 / Control box mechanism



M1. 控制箱装置 / Control box mechanism

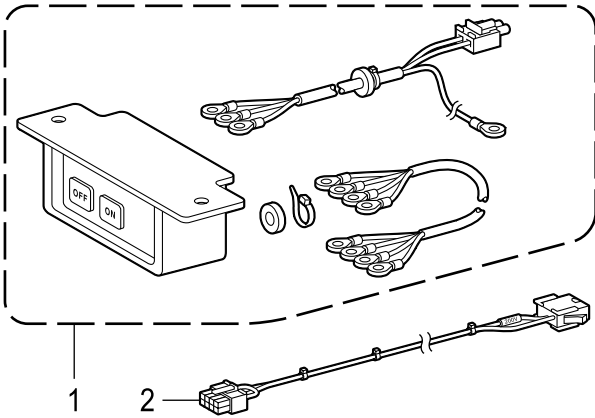
参照号	零部件序号	数量	零部件名称	NAME OF PARTS	RM
1	CSA6364001	1	盖组件 CF	CF CAP ASSY	
2	CSA3808101	1	变压器 HV	TRANSFORMER 342G	
3	CSA3797001	1	DC风扇马达组件	DC-FAN MOTOR ASSY	
4	CSA8376001	1	主基板组件 3020G	PCB ASSY MAIN 342G	
5	CSA8378001	1	PMD基板组件 3020G	PCB ASSY PMD 342G	
6	CSA3744001	3	FET FS10ASJ-2	TRANSISTOR, FET: FS10ASJ-2	
7	CSA3722001	1	MOSFET FX20KMJ2	TRANSISTOR, FET: FX20KMJ-2	
8	CS49484000	1	MOSFETFS10KMJ-2	TRANSISTOR, FET: FS10KMJ-2	
9	CSA3806001	1	电线	HARNESS, MAIN POWER SUPPLY	
10	CJ04115001	1	感电标签(6国)	LABEL, ELEC. SHOCK 6 LANG	
11	CS37059001	1	PE标记	LABEL, PE	
12	CS37060001	3	接地标记	LABEL, GROUNDING	
13	CSA3581001	1	基板组件	PCB ASSY, NF	
14	CSA3796001	1	电线 NF OUT	HARNESS, NF OUT	
			<用于欧洲 三相 400V>	<For Europe, 3-phase 400V AC.>	
15	CS52163000	3	衰减器 NF-130	CORE, NF-130	
16	CSA3788001	2	地线 EC	GROUND WIRE EC	
17	C021400106	1	六角螺母 M4	NUT 1 M4	
18	C025040236	2	平垫圈 M4	WASHER PLAIN M 4	



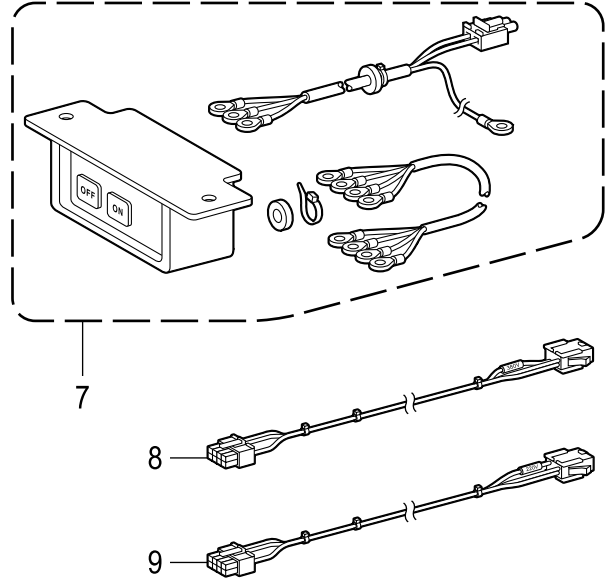
M2. 控制箱装置 (电源马达基板) / Control box mechanism (Power supply motor PCB)

参照号	零部件序号	数量	零部件名称	NAME OF PARTS	RM
1	CSA8383001	1	电源马达基板组件 C	PCB ASSY POWER SUPPLY MOTOR C	
2	CSA3765001	1	电阻 V10D101	VARISTOR: V10D101	
3	CSA8384001	1	电阻 V10D471	VARISTOR: V10D471	
4	CSA3767001	1	电阻 V14D511	VARISTOR: V14D511	
5	CSA3762001	1	电阻 V14D911	VARISTOR: V14D911	
6	CSA3768001	1	电阻 V14D561	VARISTOR: V14D561	
7	CSA3769001	1	电阻 V5D121	VARISTOR: V5D121	
8	CSA3770001	1	电阻 V5D330	VARISTOR: V5D330	
9	CSA3771001	1	电阻 V5D820	VARISTOR: V5D820	
10	CSA3794001	3	保险丝 250V-15A	G FUSE S 15A	
11	CSA3795001	2	保险丝 250V-6A	G FUSE S 6A	
12	CSA7794001	3	保险丝 3A	G FUSE S 3A	

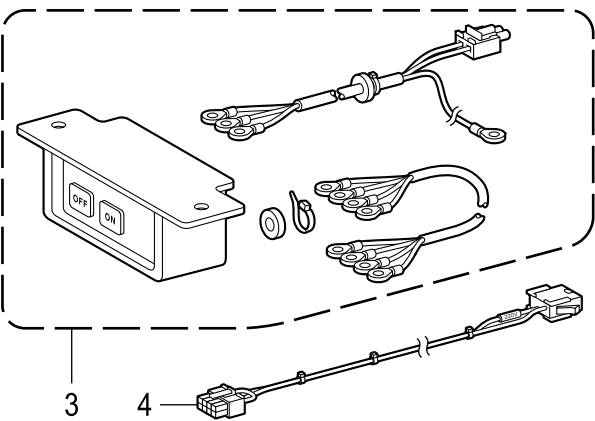
< 用于日本 三相 200V / For Japan, 3-phase 200V AC.>



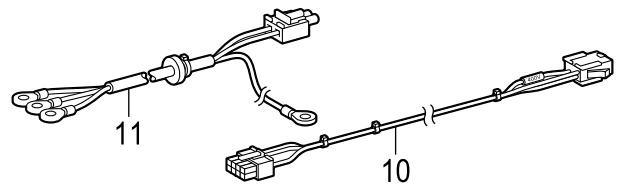
< 用于中国 三相 380V / For China, 3-phase 380V AC. >



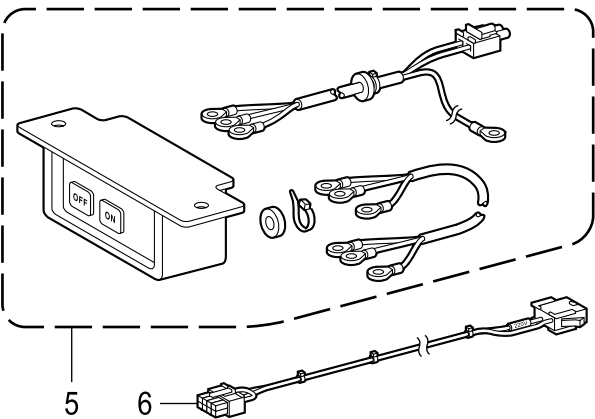
< 用于美国 三相 220V / For USA, 3-phase 220V AC. >



< 用于欧洲 三相 400V / For EU, 3-phase 400V AC. >



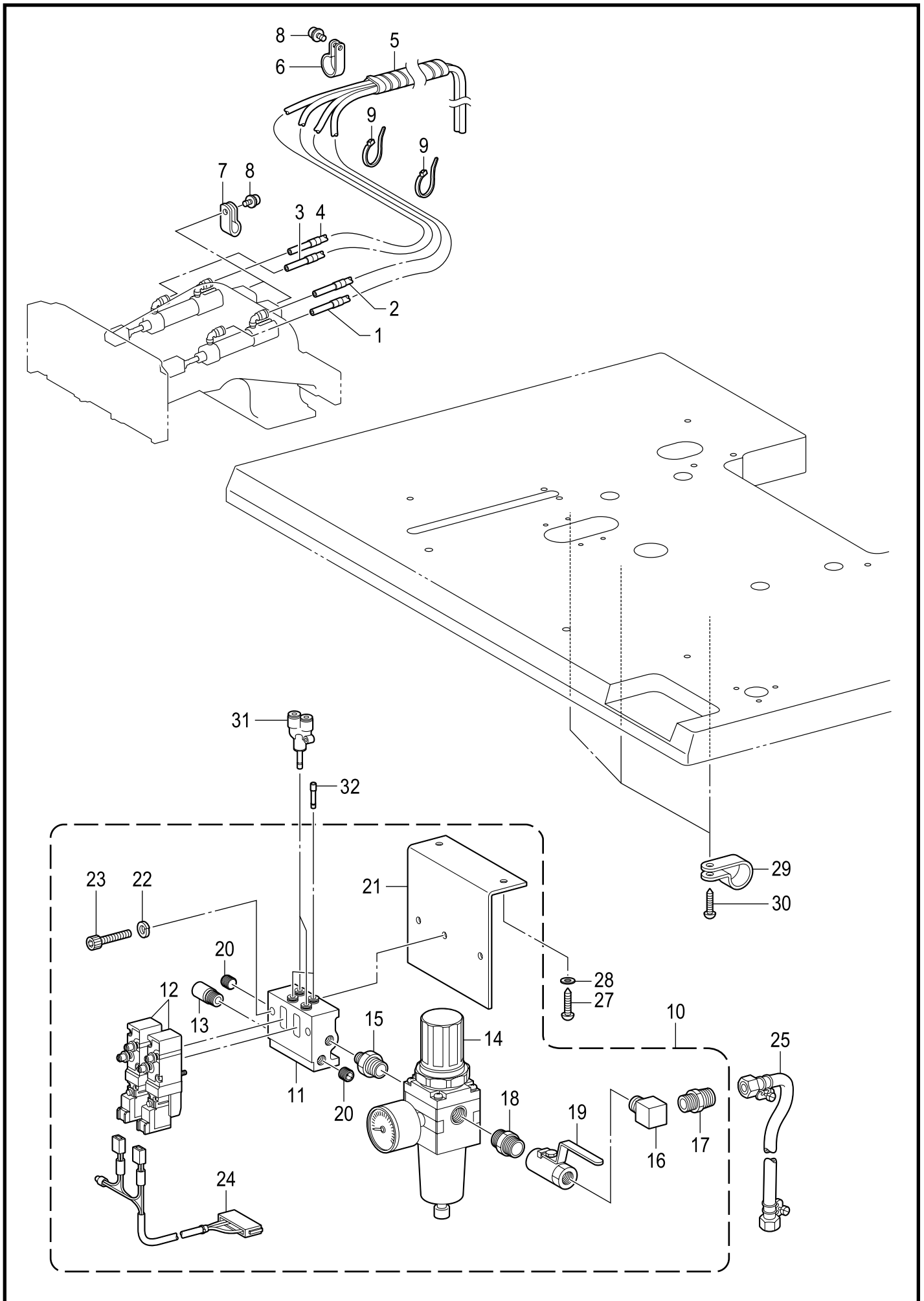
< 用于亚洲和中国 单相 220V / For Asia and China, 1-phase 220V AC. >



N. 开关装置 / Power switch mechanism

参照号	零部件序号	数量	零部件名称	NAME OF PARTS	RM
1	CSA8824001	1	<用于日本 三相 200V> 开关组件 3P-JPN NF	<For Japan, 3-phase 200V AC.> POWER SUPPLY SW ASSY 3P-JP NF	
2	CSA8387001	1	V切换电线 200V#2	VOLTAGE SELECT HARNESS 200V #2	
3	CSA8825001	1	<用于美国 三相 220V> 开关组件 3P-L NF	<For USA, 3-phase 220V AC.> POWER SUPPLY SW ASSY 3P-L NF	
4	CSA3789101	1	V切换电线 H220V	VOLTAGE SELECT HARNESS H220V	
5	CSA8827001	1	<用于亚洲和中国 单相 220V> 开关组件 1P	<For Asia and China, 1-phase 220V AC.> POWER SUPPLY SW ASSY 1P NF	
6	CSA3789101	1	V切换电线 H220V	VOLTAGE SELECT HARNESS H220V	
7	CSA8826001	1	<用于中国 三相 380V> 开关组件 3P-H	<For China, 3-phase 380V AC.> POWER SUPPLY SW ASSY 3P-H NF	
8	CSA3827001	1	V切换电线 380V	VOLTAGE SELECT HARNESS 380V	
9	CSA3789101	1	V切换电线 H220V	VOLTAGE SELECT HARNESS H220V	
10	CSA3828001	1	<用于欧洲 三相 400V> V切换电线 400V	<For Europe, 3-phase 400V AC.> VOLTAGE SELECT HARNESS 400V	
11	CSA3838001	1	电线组件 AC IN EC	HARNESS ASSY AC IN EC	

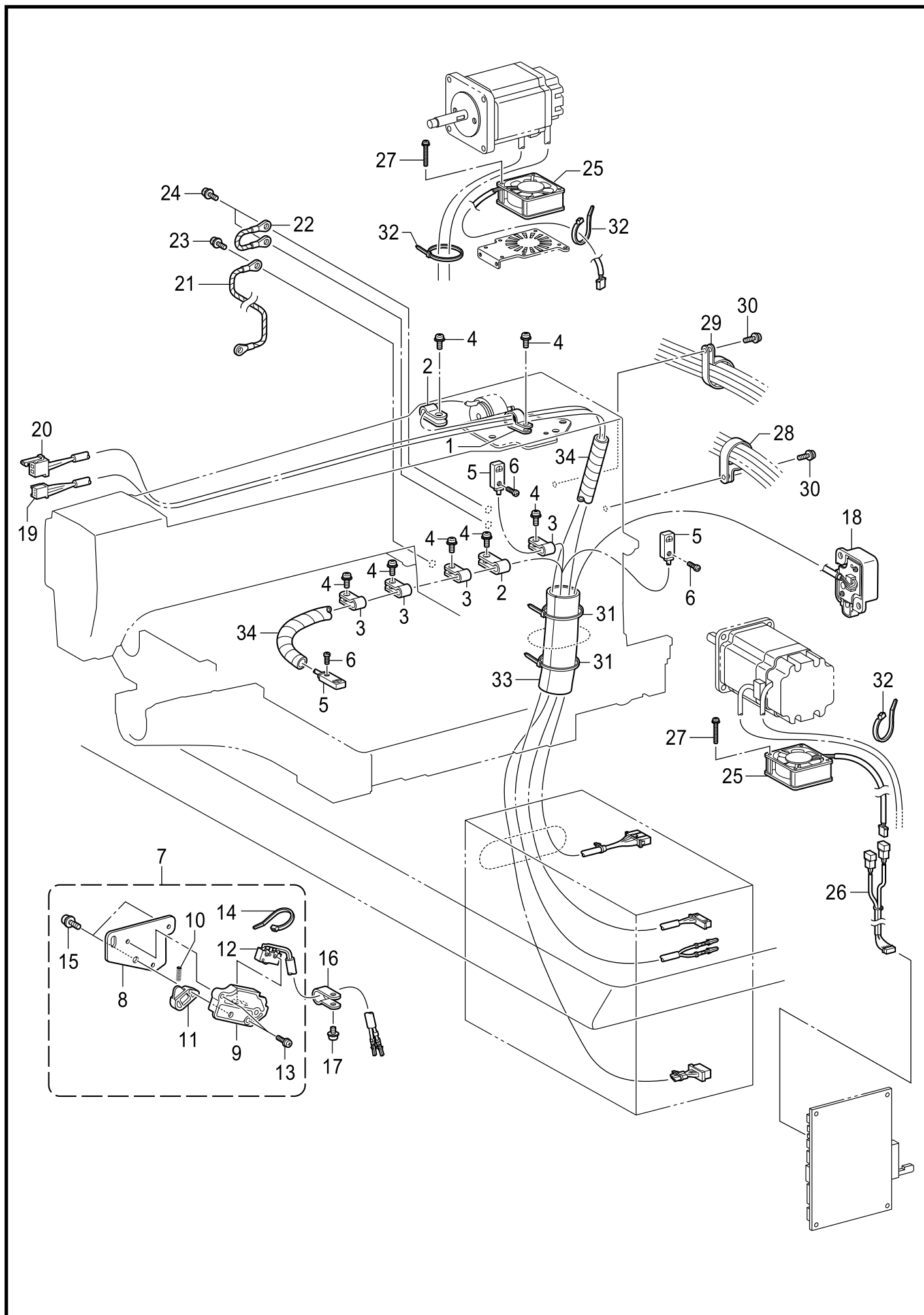
P . 空压装置 / Air pressure mechanism



P. 空压装置 / Air pressure mechanism

参照号	零部件序号	数量	零部件名称	NAME OF PARTS	RM
1	CSA8659001	1	空气管 R	AIR TUBE R	
2	CSA8659002	1	空气管 R	AIR TUBE R	
3	CSA8660001	1	空气管 L	AIR TUBE L	
4	CSA8660002	1	空气管 L	AIR TUBE L	
5	CSA8661001	2	螺旋管线 650S	SPIRAL 650S	
6	C525664000	1	电线夹 #6	CORD HOLDER #6	
7	C149547000	2	压线板	CORD HOLDER 4N	
8	C0A5401005	3	螺栓(带垫圈) M4X10DB	SCREW PAN (S/P WASHER) M4X10	
9	C228475000	2	电线夹 1.9X80	FASTENING BAND 1.9X80	
10	CSA5281101	1	电磁阀组件 2A	SOLENOID VALVE ASSY 2A	
11	CSA5289001	1	集合管 2	MANIFOLD2	
12	CS39116100	2	阀 VQZ2151S-5	VALVE VQZ2151S-5	
13	CSA5283001	1	消音器 AN103-1	SILENCER AN103-1	
14	CSA5282001	1	调整器 AW20-02G	FILTER REGULATOR AW20-02G	
15	CS09228000	1	管接头	NIPPLE 1/4X1/8	
16	C153252000	1	接头 PT	PT-JOINT	
17	CS04891000	1	中间接头 1/4	MIDDLE NIPPLE, 1/4	
18	CSA5285001	1	中间接头 1/4	MIDDLE NIPPLE 1/4	
19	CSA6573001	1	球阀 V03 1/4	BALL VALVE V03 1/4	
20	C153274001	2	盖 1/8	CAP, 1/8	
21	CSA5286101	1	阀安装板	SETTING PLATE VALVE	
22	C028050246	2	弹簧垫圈 2-5	WASHER SPRING 2-5	
23	C018503036	2	螺栓 M5X30	BOLT SOCKET M5X30	
24	CSA5191001	1	阀门接线2连组	VALVE HARNESS X2 ASSY	
25	C149796001	1	像皮管带接头	AIR HOSE, W/CONNECTOR	
27	C032422003	2	木螺钉 M4.1X20	WOOD SCREW, ROUND 2 M4.1X20	
28	C148847001	2	垫圈	WASHER PLAIN 4.76	
29	C554482000	3	电线夹 #12	CORD HOLDER #12	
30	C032422003	3	木螺钉 M4.1X20	WOOD SCREW, ROUND 2 M4.1X20	
31	CS53978000	2	分支管 Y	BRANCH, Y	
32	CS53983000	2	插销 4	PLUG, 4	

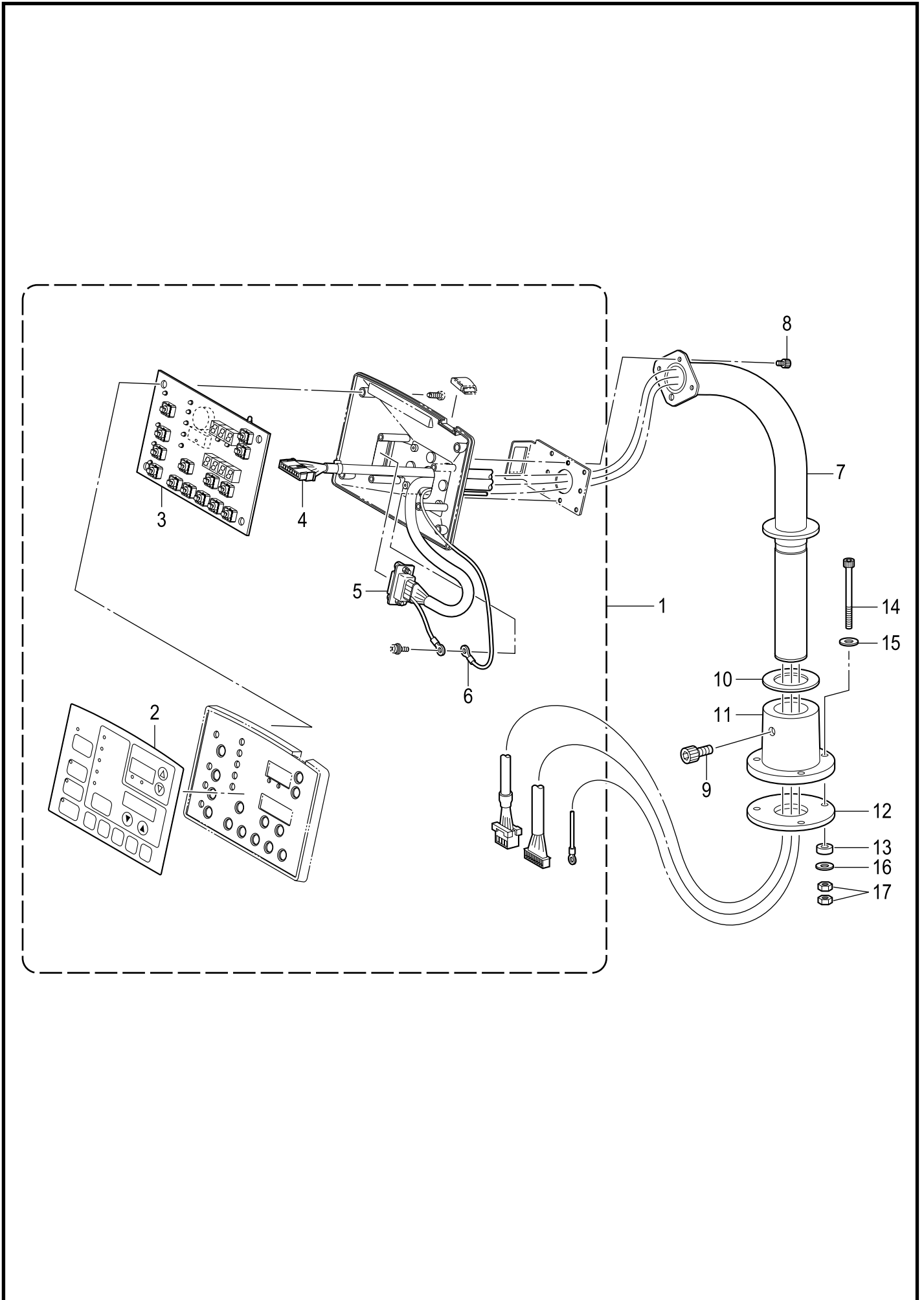
Q. 电气部品装置 / Power supply equipment mechanism



Q. 电气部品装置 / Power supply equipment mechanism

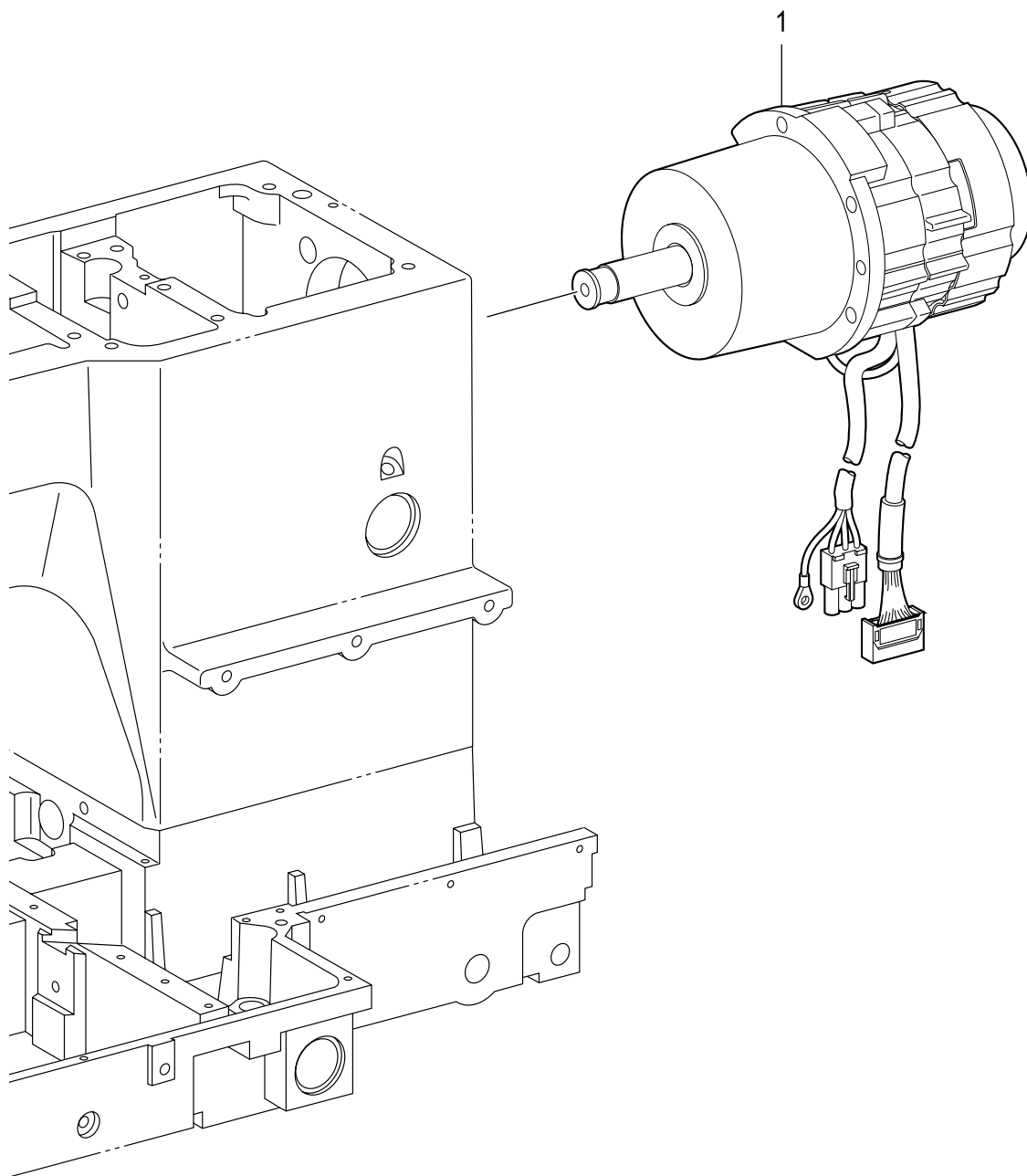
参照号	零部件序号	数量	零部件名称	NAME OF PARTS	RM
1	C525567000	1	电线夹 #8	CORD HOLDER #8	
2	C149547000	2	压线板	CORD HOLDER 4N	
3	C625010000	4	尼龙夹 NK-2N	NYLON CLAMP NK-2N	
4	C0A5401006	7	螺栓(带垫圈) M4X10DB	SCREW PAN (S/P WASHER) M4X10	
5	CSA8521001	1	原点感应器组件 3020G	H-POSITION SENSOR 342G ASSY	
6	C062300816	3	螺钉 M3X8	SCREW PAN M3X8	
7	CSA8522001	1	安全开关组件 3020G	SAFETY SWITCH PLATE ASSY 342G	
8	CSA8523001	1	安全开关板 3020G	SAFETY SWITCH PLATE 342G	
9	CSA5730101	1	开关基座	SAFETY SWITCH BASE	
10	CSA5731001	1	开关弹簧	SAFETY SWITCH SPRING	
11	CSA5732101	1	开关手柄	SAFETY SWITCH LEVER	
12	CSA8524001	1	安全开关组件	SAFETY SWITCH ASSY	
13	CSA7293001	2	螺栓(带垫圈) M3X12	SCREW PAN (S/P W) M3X12	
14	CS04159000	1	线夹1M	BAND 1M	
15	C0A5401006	2	螺栓(带垫圈) M4X10DB	SCREW PAN (S/P WASHER) M4X10	
16	C149547000	1	压线板	CORD HOLDER 4N	
17	C0A5401006	1	螺栓(带垫圈) M4X10DB	SCREW PAN (S/P WASHER) M4X10	
18	CSA9105001	1	头部检出复合件	HEAD DETECTOR UNIT	
19	CSA8527001	1	停止开关接线 3020G	STOP SWITCH HARNESS 342G	
20	CSA8528001	1	扫线电磁铁接线	WIPER SOLENOID HARNESS 342G	
21	CSA3486001	1	地线 350	GROUND WIRE 350	
22	CSA5433001	1	接地线	GROUND WIRE	
23	C0A5401006	1	螺栓(带垫圈) M4X10DB	SCREW PAN (S/P WASHER) M4X10	
24	C0A5401006	2	螺栓(带垫圈) M4X10DB	SCREW PAN (S/P WASHER) M4X10	
25	CSA8532001	2	DC风扇组件	DC-FAN MOTOR ASSY	
26	CSA8533001	1	DC风扇接线	DC-FAN HARNESS	
27	C0A5403006	8	螺栓(带垫圈) M4X30DB	SCREW PAN (S/P WASHER) M4X30	
28	C554482000	1	电线夹 #12	CORD HOLDER #12	
29	CS00470000	1	电线夹 #16	CORD HOLDER 16N	
30	C0A5401006	2	螺栓(带垫圈) M4X10DB	SCREW PAN (S/P WASHER) M4X10	
31	C218859001	2	电线夹 M150	BINDER M150	
32	CS04159000	3	线夹1M	BAND 1M	
33	CSA8881001	1	粘链管 30X400	QUICK TUBE 30X400	
34	CSA6366001	1	螺旋管 140S	SPIRAL TUBE	

R. 操作盘装置 / Operation panel mechanism



R. 操作盘装置 / Operation panel mechanism

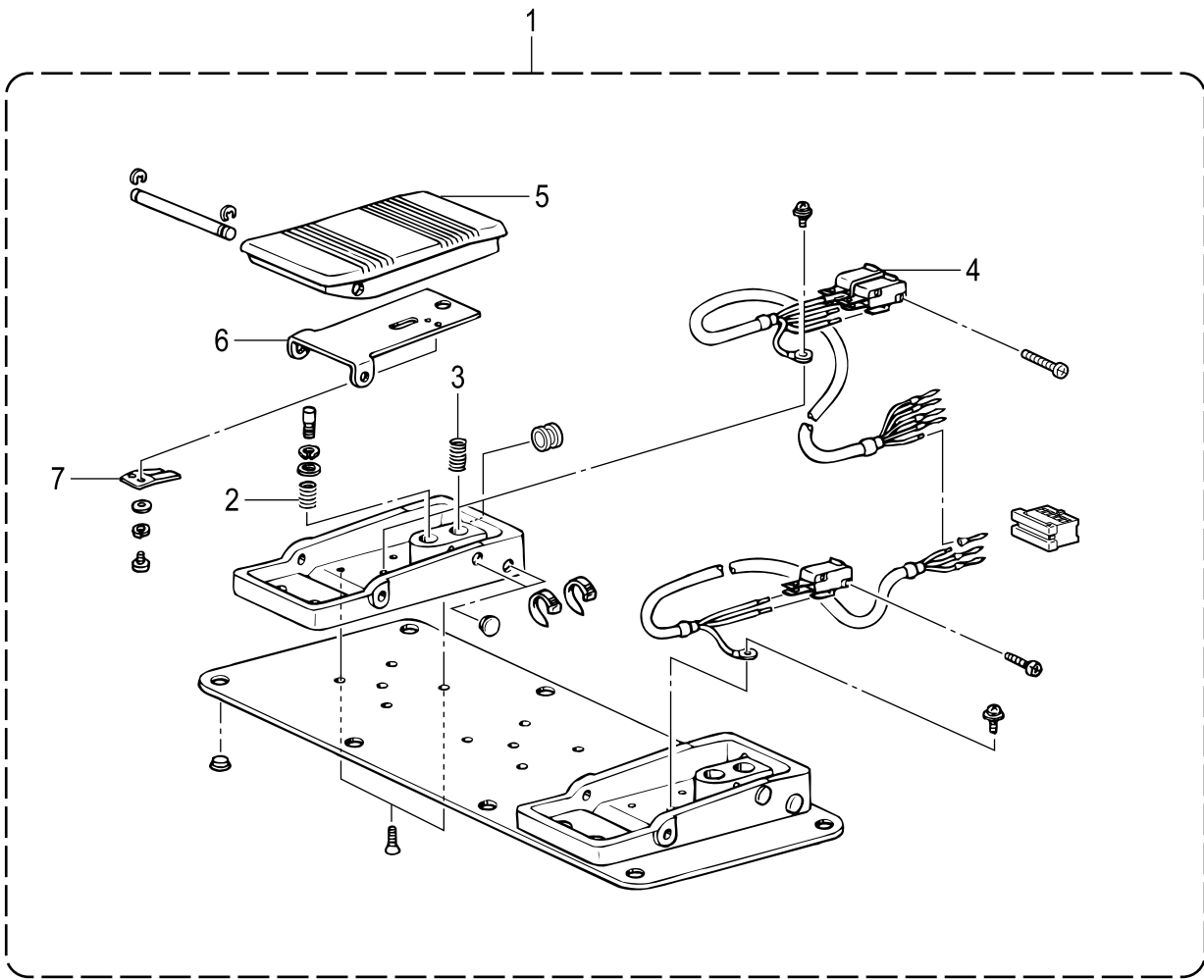
参照号	零部件序号	数量	零部件名称	NAME OF PARTS	RM
1	CSA4834101	1	操作盘组件	OPERATION PANEL ASSY	
2	CSA3831001	1	操作盘面板	PANEL SHEET	
3	CSA3833201	1	操作盘基板组件	PANEL PCB ASSY	
4	CSA4563101	1	操作盘接线	PANEL HARNESS	
5	CSA4837101	1	程序中继线	PROGRAMMER CONNECTING HARNESS	
6	CSA4841101	1	接地线	GROUND WIRE	
7	CSA4836001	1	操作盘支柱	OPERATION PANEL STAND	
8	C018400636	3	螺栓 M4X6	BOLT SOCKET M4X6	
9	C018081636	1	螺栓 M8X16	BOLT SOCKET M8X16	
10	CS10408000	1	橡皮垫片	RUBBER SHEET	
11	CS43236009	1	操作盘基座	OPERATION PANEL BASE	
12	CS43674000	1	缓震垫 A	CUSHION, A	
13	CS43675000	3	缓震垫 B	CUSHION, B	
14	CSA8664001	3	螺栓 M5X75	BOLT SOCKET M5X75	
15	C025050236	3	平垫圈 M5	WASHER PLAIN M 5	
16	C025050336	3	平垫圈 L5	WASHER PLAIN L 5	
17	C021500106	6	六角螺母 M5	NUT 1 M5	



S. 马达装置 / Motor mechanism

参照号	零部件序号	数量	零部件名称	NAME OF PARTS	RM
1	CJ80991001	1	马达组件 CDD-430D	MOTOR ASSY CDD-430D	

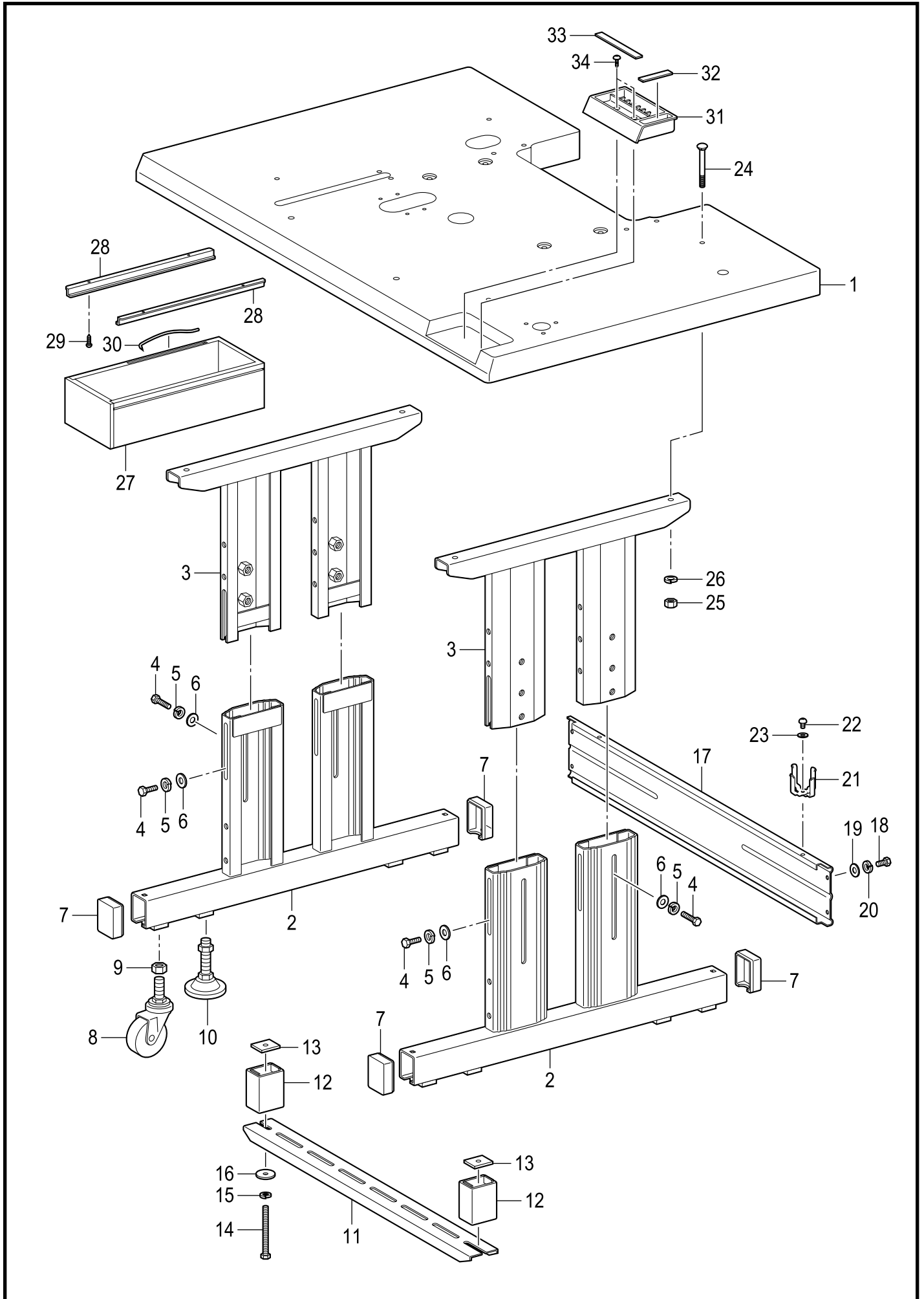
T. 踏板开关关系 / Foot switch pedal mechanism



T. 踏板开关关系 / Foot switch pedal mechanism

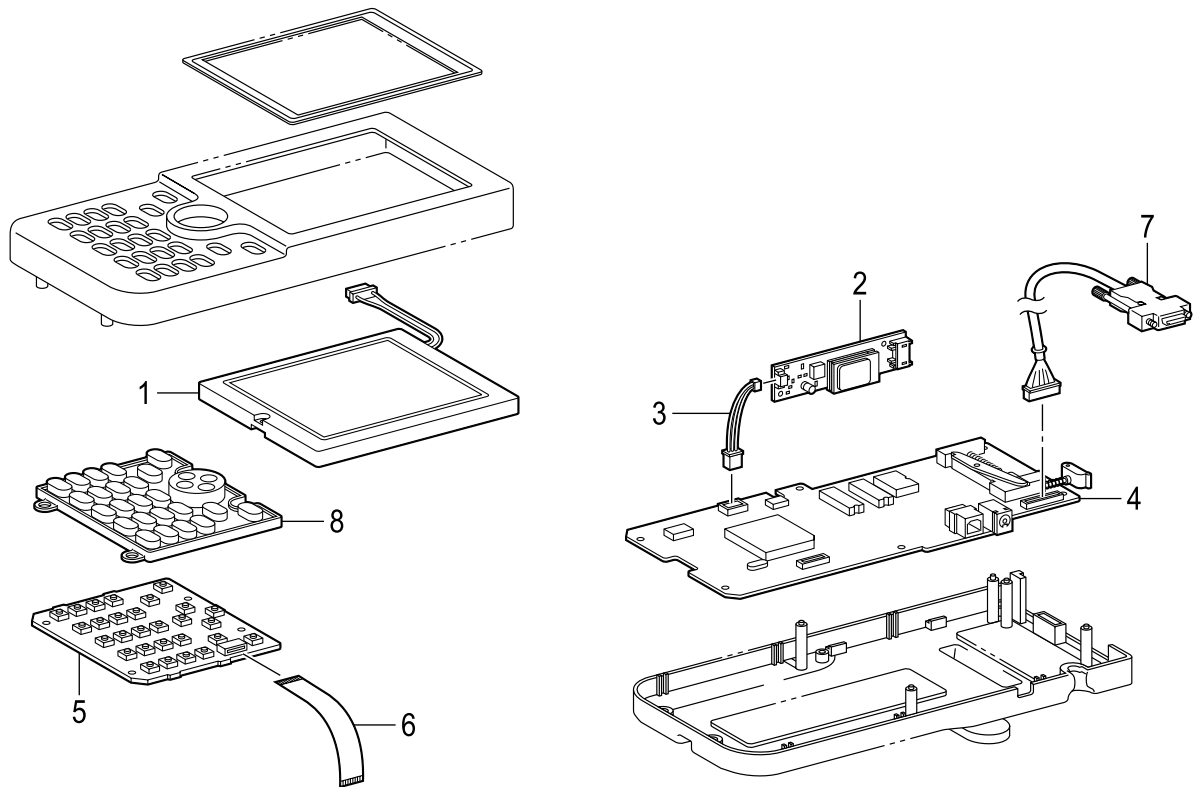
参照号	零部件序号	数量	零部件名称	NAME OF PARTS	RM
1	CSA6038001	1	2连脚踏开关组件	2-PEDAL FOOT SWITCH, SW ASSY	
2	CS38168001	1	弹簧	SPRING, COMPRESSION 10X30	
3	CS38170001	2	弹簧	FOOT PEDAL SPRING	
4	CS36260000	3	开关 VX	PIN BUTTON MICRO SWITCH, VX	
5	CS38174000	2	脚踏板	FOOT PEDAL	
6	CS38175001	2	脚踏护板	PROTECTION PLATE, PEDAL	
7	CS38176101	2	弹簧板	SPRING, PLATE	

U . 动力台 / Power table



U. 动力台 / Power table

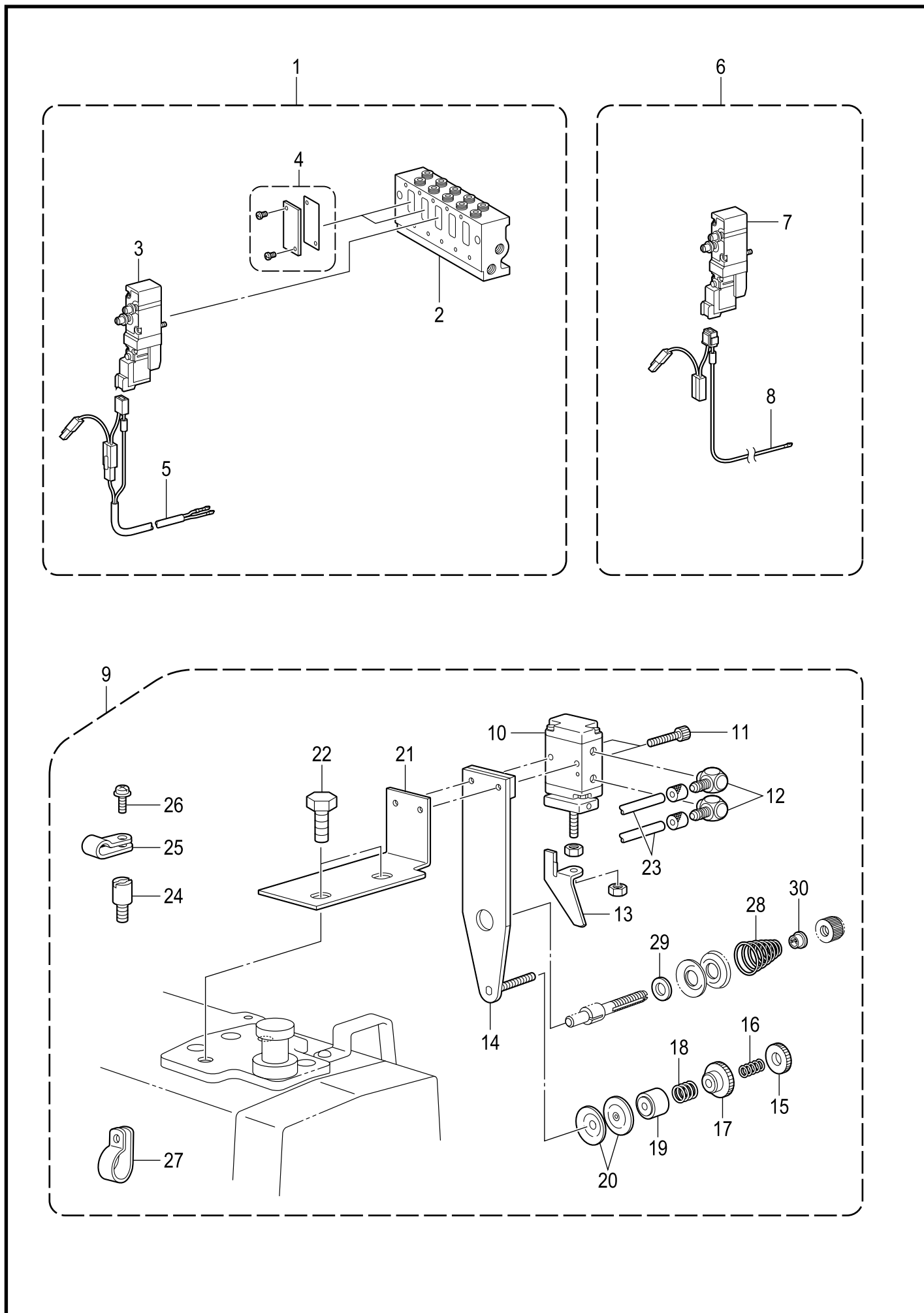
参照号	零部件序号	数量	零部件名称	NAME OF PARTS	RM
1	CSA8692001	1	台面 342G	TABLE 342G	
2	CSA8248001	2	外支脚	OUTER STAND	
3	CSA8249001	2	台面支架	TABLE SUPPORT	
4	C017081606	12	六角螺栓 M8X16	BOLT M8X16	
5	C028080246	12	弹簧垫圈 2-8	WASHER SPRING 2-8	
6	CS09312001	12	垫圈 L8	WASHER PLAIN L 8	
7	CS10661109	4	外支脚橡皮盖	OUTER STAND CAP RUBBER	
8	C152393200	4	脚轮	CASTER	
9	C021160303	4	螺母 M16	NUT, 3 M16	
10	CSA8250001	4	调整脚座 16	ADJUSTER 16	
11	CSA8251001	1	踏板支撑台	TREADLE SUPPORT BASE	
12	CS09317109	2	垫块	SPACER	
13	CS09225001	2	4角形螺母	NUT SQUARE	
14	C017080006	2	螺栓 M8X100	BOLT M8X100	
15	C028080246	2	弹簧垫圈 2-8	WASHER SPRING 2-8	
16	CS09226001	2	踏板支撑台垫圈	TREADLE SUPPORT WASHER	
17	CS11531009	1	桁架	BEAM	
18	C017081606	4	六角螺栓 M8X16	BOLT M8X16	
19	C025080236	4	平垫圈 M8	WASHER PLAIN M 8	
20	C028080246	4	弹簧垫圈 2-8	WASHER SPRING 2-8	
21	C133172003	1	油架	OILER BASE	
22	C037521016	1	螺销 M5X10	TAPPING SCREW PAN 2 M5X10	
23	C025050236	1	平垫圈 M5	WASHER PLAIN M 5	
24	C222372001	4	螺栓 M8X70	BOLT, SQUARE M8X70	
25	C021080106	4	六角螺母 M8	NUT 1 M8	
26	C028080246	4	弹簧垫圈 2-8	WASHER SPRING 2-8	
27	C119702004	1	抽屉	SIDE DRAWER	
28	C101121100	2	抽屉滑轨	SUPPORTER SIDE DRAWER	
29	C032361306	4	木螺钉 M3.5X13	WOOD SCREW ROUND 2 M3.5X13	
30	C101073001	1	固定弹簧	SPRING	
31	CS15158009	1	小物放置盒	ACCESSORY CASE	
32	CS02740000	1	毛毡	FELT	
33	CS02739000	1	橡皮磁石条	RUBBER MAGNET TAPE	
34	C039411215	2	圆头螺销 M4X12	TAPPING SCREW TRUSS 1 M4X12	



V. 编程装置 / Programmer

参照号	零部件序号	数量	零部件名称	NAME OF PARTS	RM
1	CSA5164001	1	LCD 模数	LCD MODULE	
2	CSA5165001	1	LCD变换器	LCD INVERTER	
3	CSA5166001	1	变换器接线	INVERTER HARNESS	
4	CSA5170001	1	编程器基板组件	PROGRAMMER PCB ASSY	
5	CSA5172001	1	开关基板组件	SWITCH PCB ASSY	
6	CXD1115051	2	FFC接线 20X70	FFC: SML2CD-20X70	
7	CSA5167001	1	编程器接线	PROGRAMMER HARNESS	
8	CSA4574001	1	键盘	KEYBOARD	

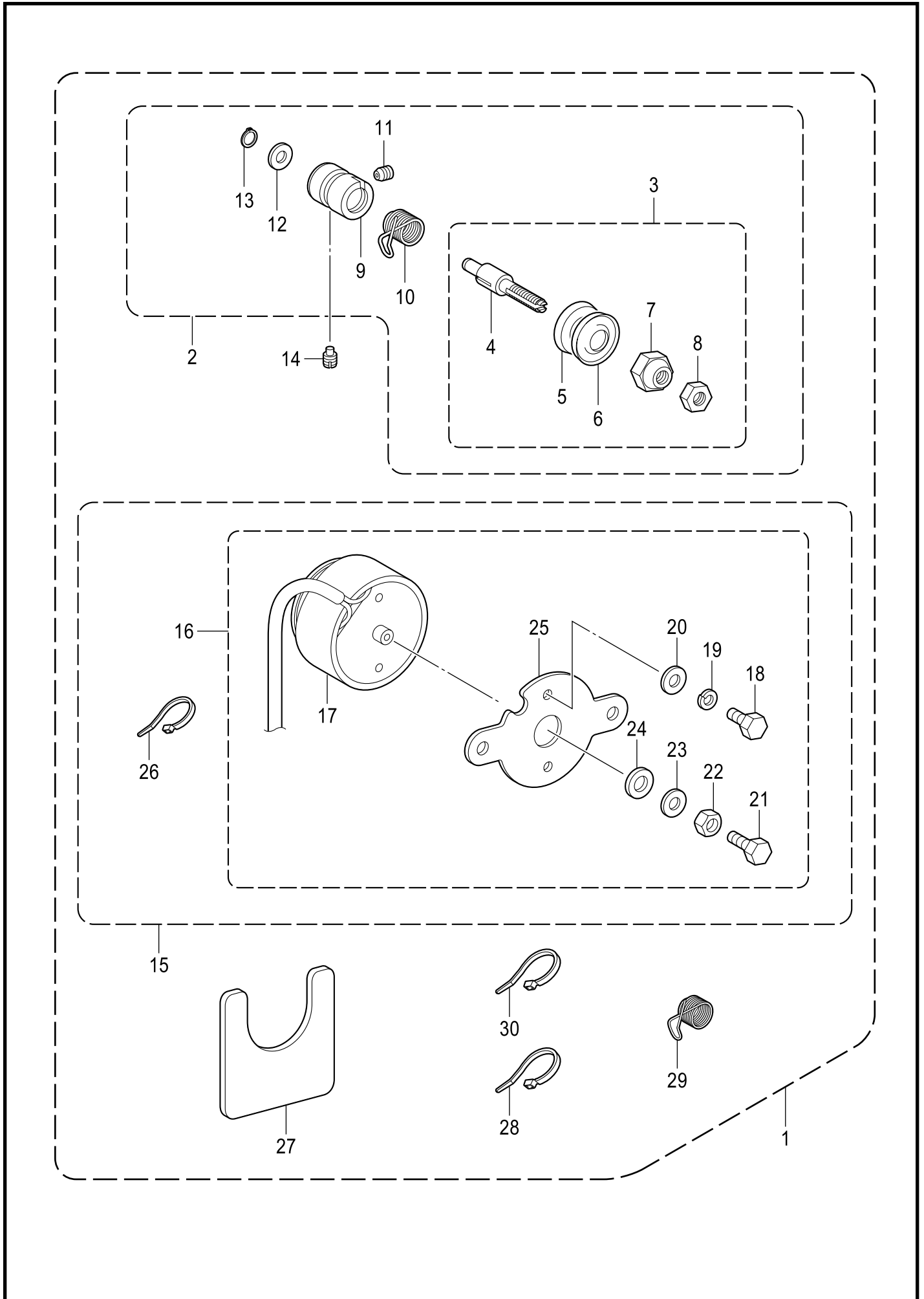
W1 . 附属装置 (选配件) / Attachment set (Option parts)



W1. 附属装置(选购件)/ Attachment set (Option parts)

参照号	零部件序号	数量	零部件名称	NAME OF PARTS	RM
			<用于欧洲以外>	<Except for Europe>	
1	CSA7500001	1	OP集合管5复合件	OPTION MANIFOLD 5 SET	
2	CSA5290001	1	集合管 5	MANIFOLD 5	
3	CS39116100	1	阀 VQZ2151S-5	VALVE, VQZ2151S-5	
4	CS53982000	2	遮隔板组件	BLANKING PLATE ASSY	
5	CSA7166101	1	阀接线X1组	VALVE HARNESS ASSY X1	
			<用于欧洲>	<For Europe only>	
1	CSA75000E1	1	OP集合管5复合件	OPTION MANIFOLD 5 SET	
2	CSA75390E1	1	集合管 5WEEE	MANIFOLD 5WEEE	
3	CS39116100	1	阀 VQZ2151S-5	VALVE, VQZ2151S-5	
4	CS53982000	2	遮隔板组件	BLANKING PLATE ASSY	
5	CSA7166101	1	阀接线X1组	VALVE HARNESS ASSY X1	
			<用于欧洲以外>	<Except for Europe>	
6	CSA7171001	1	OP追加阀门组	OPTION ADD VALVE ASSY	
7	CS39116100	1	阀 VQZ2151S-5	VALVE, VQZ2151S-5	
8	CSA7167101	1	追加阀接线 SG	OP VALVE HARNESS SG	
			<用于欧洲>	<For Europe only>	
6	CSA71710E1	1	OP追加阀门组	OPTION ADD VALVE ASSY	
7	CSA74521E0	1	阀 VQZ2151S	VALVE, VQZ2151SWEEE	
8	CSA7167101	1	追加阀接线 SG	OP VALVE HARNESS SG	
9	CSA7197001	1	2挡线张力调节装置	2-STEP THREAD TENSION DEVICE	
10	CS34706000	1	汽缸10X10	AIR CYLINDER, 10X10	
11	C018302036	2	螺栓 M3X20	BOLT SOCKET M3X20	
12	CS12150000	2	管接头 M-5HL-4	TUBE ELBOW, M-5HL-4	
13	CS34533001	1	开盘爪	COUNTERSINK CLAW	
14	CS34534101	1	辅助张力器基座组件	SUB TENSION BRACKET ASSY	
15	C155510001	1	夹线螺母	TENSION NUT	
16	C146060000	1	压簧	SPRING	
17	C146059001	1	张力器螺母	PRE-TENSION NUT	
18	C146058001	1	张力器弹簧	PRE-TENSION SPRING	
19	C146206009	1	导向盘压圈	DISC PRESSER, T-GUIDE	
20	C144504001	2	导向盘	THREAD GUIDE DISC	
21	CSA7199001	1	汽缸安装板	SETTING BRACKET, CYLINDER	
22	C017081606	2	六角螺栓 M8X16	BOLT M8X16	
23	CS15031008	2	空气管 4X2.5	AIR TUBE, 4X2.5	
24	CSA7155001	2	隔离圈	SPACER	
25	CS00480000	2	电线夹 #5	CORD HOLDER, 5N	
26	C0A5401006	2	螺栓(带垫圈) M4X10DB	SCREW PAN (S/P WASHER) M4X10	
27	C525907000	1	电线夹 #9	CORD HOLDER #9	
28	CSA3416101	1	弹簧 LL	TENSION SPRING LL	
29	CS48140002	1	垫圈	WASHER	
30	CS20681000	1	调节弹簧垫圈	WASHER	

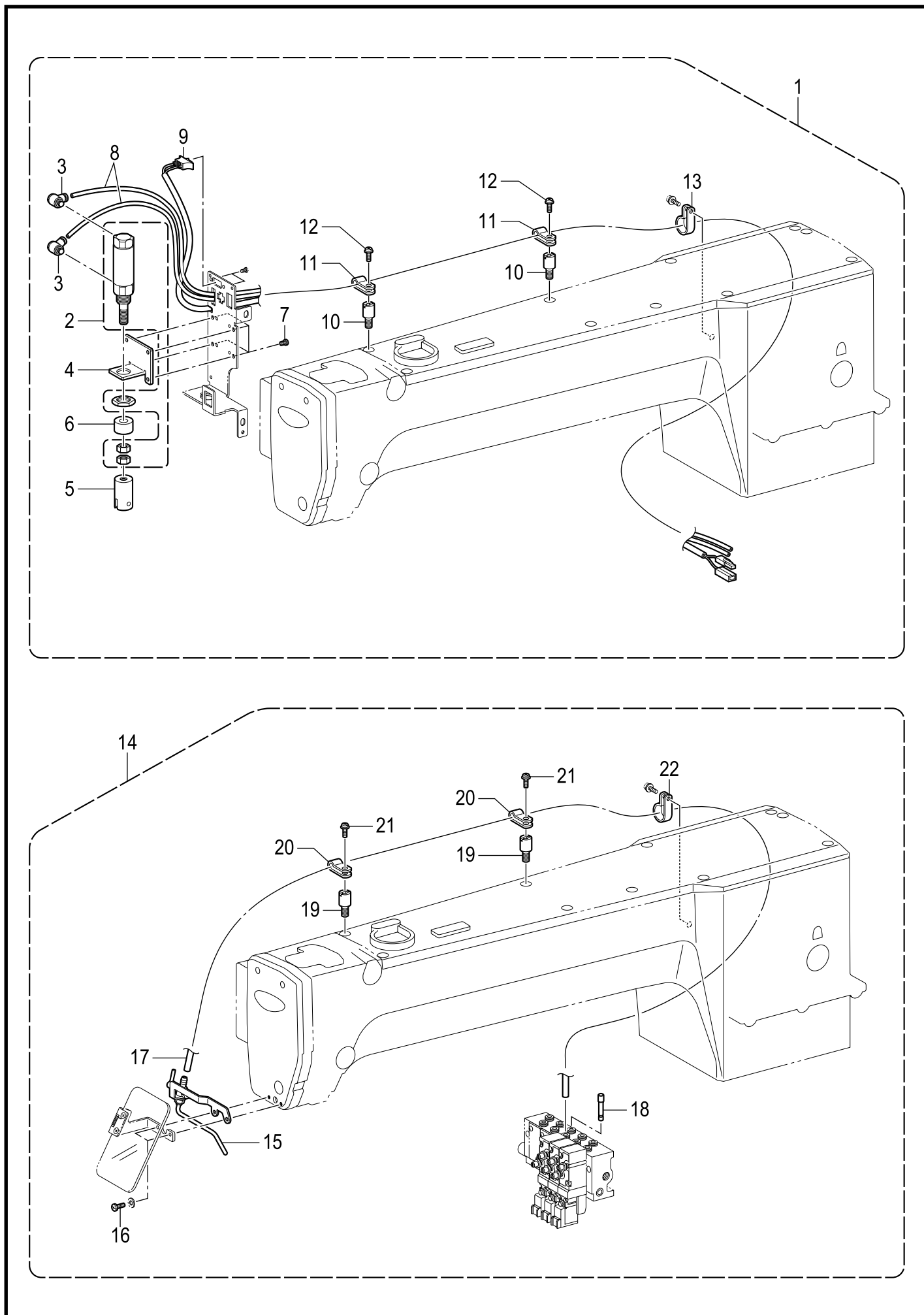
W2 . 附属装置 (选配件) / Attachment set (Option parts)



W2. 附属装置(选购件)/ Attachment set (Option parts)

参照号	零部件序号	数量	零部件名称	NAME OF PARTS	RM
1	CSA5436201	1	<用于欧洲以外> 张力器 DT	<Except for Europe> DT TENSION SET	
1	CSA54362E1	1	<用于欧洲> 张力器 DT	<For Europe only> DT TENSION SET	
2	CSA7509101	1	夹线器组件 DT	TENSION BRACKET ASSY	
3	CSA7513001	1	夹线盘组件 DT	DT TENSION DISC ASSY	
4	CSA7510001	1	夹线杆 DT	DT TENSION STUD	
5	CSA6190001	1	夹线盘 DT	DISC DT	
6	C145446001	1	夹线盘	DISC, TENSION	
7	CSA3638001	1	螺母 DT	DT NUT	
8	C021060306	1	六角螺母 M6	NUT 3 M6	
9	CSA7511001	1	夹线基座 DT	DT TENSION BRACKET	
10	CSA6193201	1	弹簧 C	THREAD TAKE-UP SPRING C	
11	C013679412	1	固定螺钉 SM3.57	SET SCREW, (CP) SM3.57	
12	CSA4932001	1	垫圈	WASHER	
13	C048060142	1	轴用挡圈 C6	RETAINING RING EXTERNAL C6	
14	CSA7512001	1	固定螺钉	SET SCREW	
15	CSA5331001	1	<用于欧洲以外> 松线器总组件	<Except for Europe> TENSION RELEASE SET	
15	CSA75410E1	1	<用于欧洲> 松线器总组件 WEEE	<For Europe only> TENSION RELEASE WEEE SET	
16	CSA5133001	1	松线器组件	TENSION RELEASE ASSY	
17	CSA4829001	1	数码张力电磁铁	DEGITAL TENSION SOLENOID	
18	C017400802	2	螺栓 M4X8	BOLT M4X8	
19	C028040246	2	弹簧垫圈 2-4	WASHER SPRING 2-4	
20	C026040236	2	平垫圈 M4	WASHER PLAIN M 4	
21	C017401015	1	螺栓 M4X10	BOLT M4X10	
22	C021400306	1	六角螺母 M4	NUT 3 M4	
23	C102707002	1	垫圈	WASHER	
24	CSA6284001	1	缓震垫	CUSHION	
25	CSA3345001	1	电磁铁安装板	SETTING PLATE, SOLENOID	
26	CS04159000	1	线夹1M	BAND 1M	
27	CSA7508001	1	电磁铁撑板 DT	DT SOLENOID PLATE	
28	C218859001	2	电线夹 M150	BINDER M150	
29	C145519301	1	挑线弹簧	THREAD TAKE-UP SPRING	
30	CS04159000	2	线夹1M	BAND 1M	

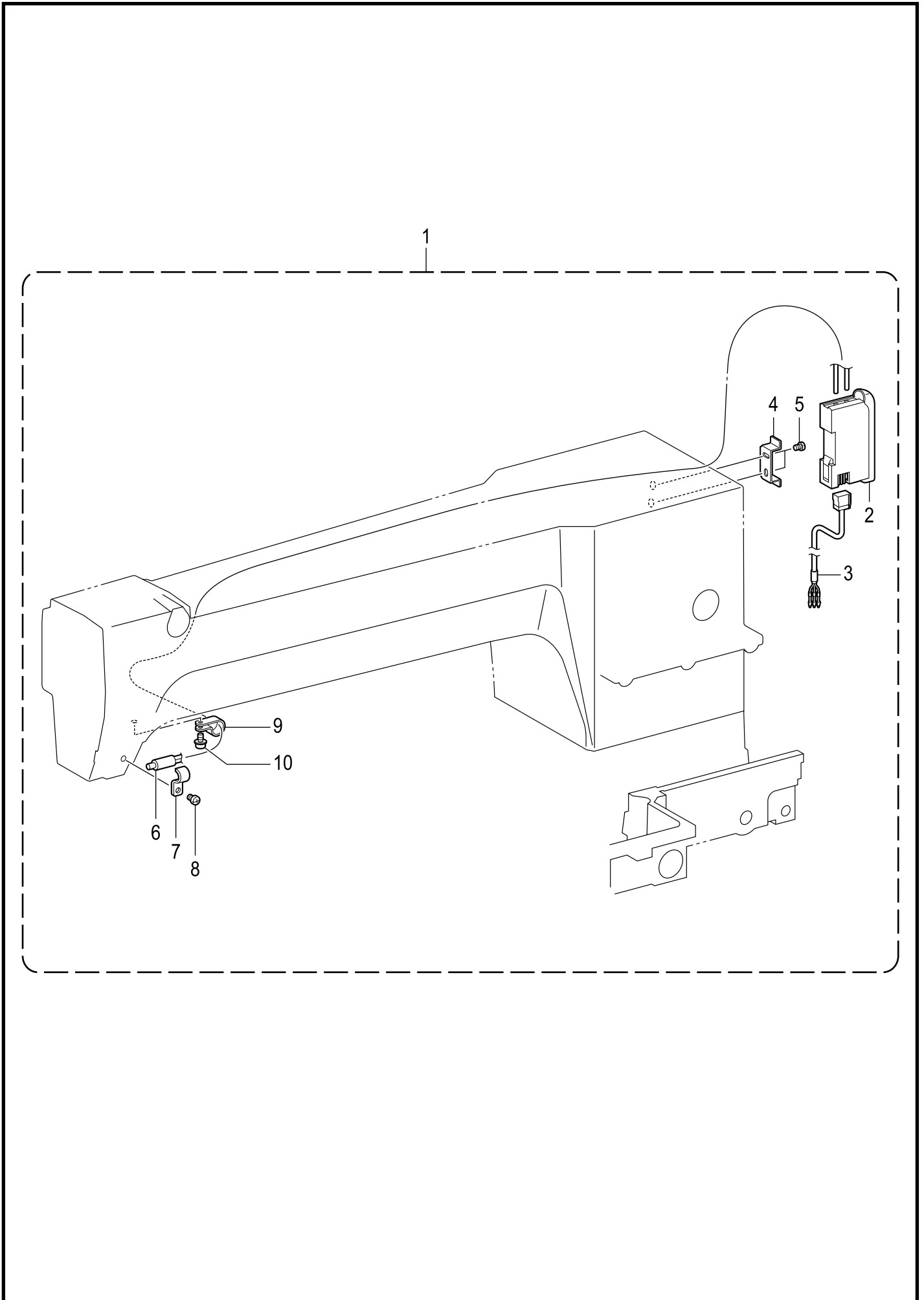
W3 . 附属装置 (选购件) / Attachment set (Option parts)



W3. 附属装置(选购件)/ Attachment set (Option parts)

参照号	零部件序号	数量	零部件名称	NAME OF PARTS	RM
1	CSA5575101	1	<用于欧洲以外> 扫线器装置	<Except for Europe> TR.WIPER SET PNEUMATIC TYPE	
2	CS17942100	1	气缸	AIR CYLINDER	
1	CSA55751E1	1	<用于欧洲> 扫线器装置	<For Europe only> TR.WIPER SET PNEUMATIC TYPE	
2	CSA74700E1	1	气缸 WEEE	AIR CYLINDER WEEE	
3	CS55533000	2	管接头 M5	ELBOW, M5	
4	CSA7163001	1	气缸安装板	CYLINDER SUPPORT PLATE	
5	CSA7164001	1	气缸接口	JOYNT CYLINDER	
6	CS31778000	1	气缸定位器	STOPPER, CYLINDER	
7	C062350616	4	螺钉 M3.5X6	SCREW PAN M3.5X6	
8	CS15031010	2	空气管 4X2.5	AIR TUBE, 4X2.5	
9	CSA7620101	1	扫线器开关组件 G	THREAD WIPER SWITCH ASSY G	
10	CSA7155001	2	隔离圈	SPACER	
11	C525664000	2	电线夹 #6	CORD HOLDER #6	
12	C0A5401006	2	螺栓(带垫圈) M4X10DB	SCREW PAN (S/P WASHER) M4X10	
13	C552907000	1	电线夹 #10	CORD HOLDER #10	
14	CSA5559101	1	机针冷却装置	NEEDLE COOLER SET	
15	CS18027201	1	指针式鼓风机	NEEDLE BLOWER	
16	C062400816	2	螺钉 M4X8	SCREW PAN M4X8	
17	CS15031010	1	空气管 4X2.5	AIR TUBE, 4X2.5	
18	CS04897000	1	火花塞 4	PLUG 4	
19	CSA7155001	2	隔离圈	SPACER	
20	CS10243000	2	尼龙夹 NK-3N	CORD HOLDER, NK-3N	
21	C0A5401006	2	螺栓(带垫圈) M4X10DB	SCREW PAN (S/P WASHER) M4X10	
22	C525907000	1	电线夹 #9	CORD HOLDER #9	

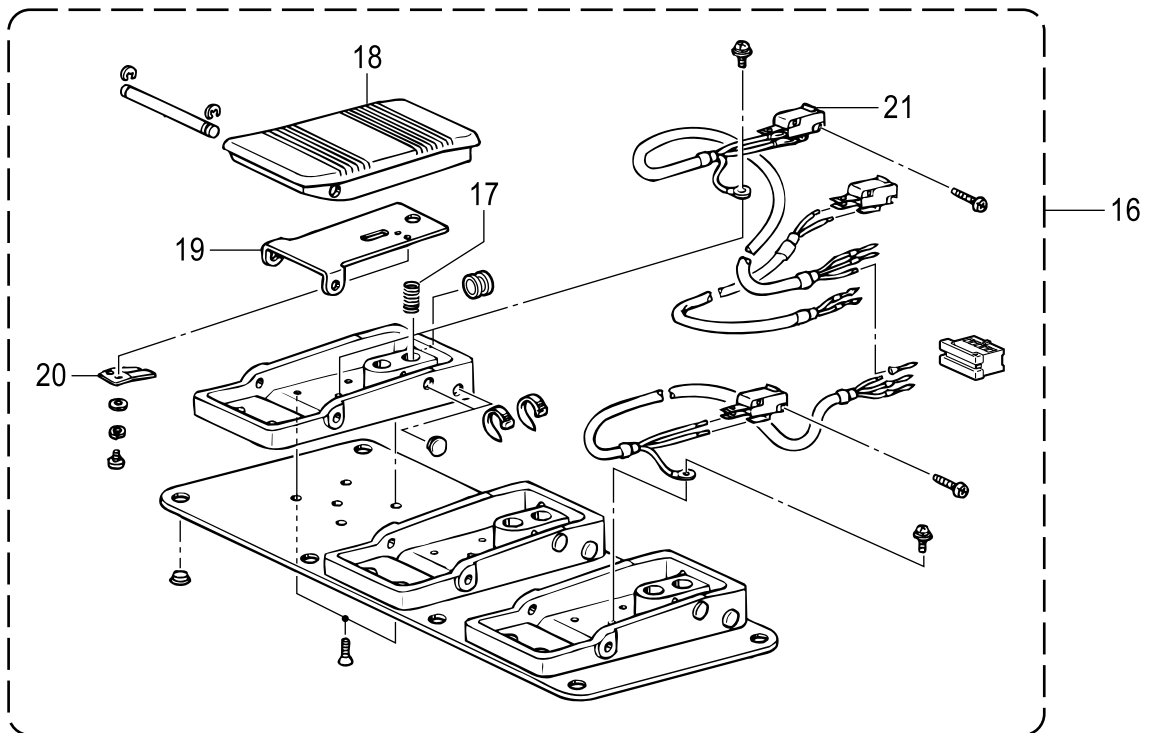
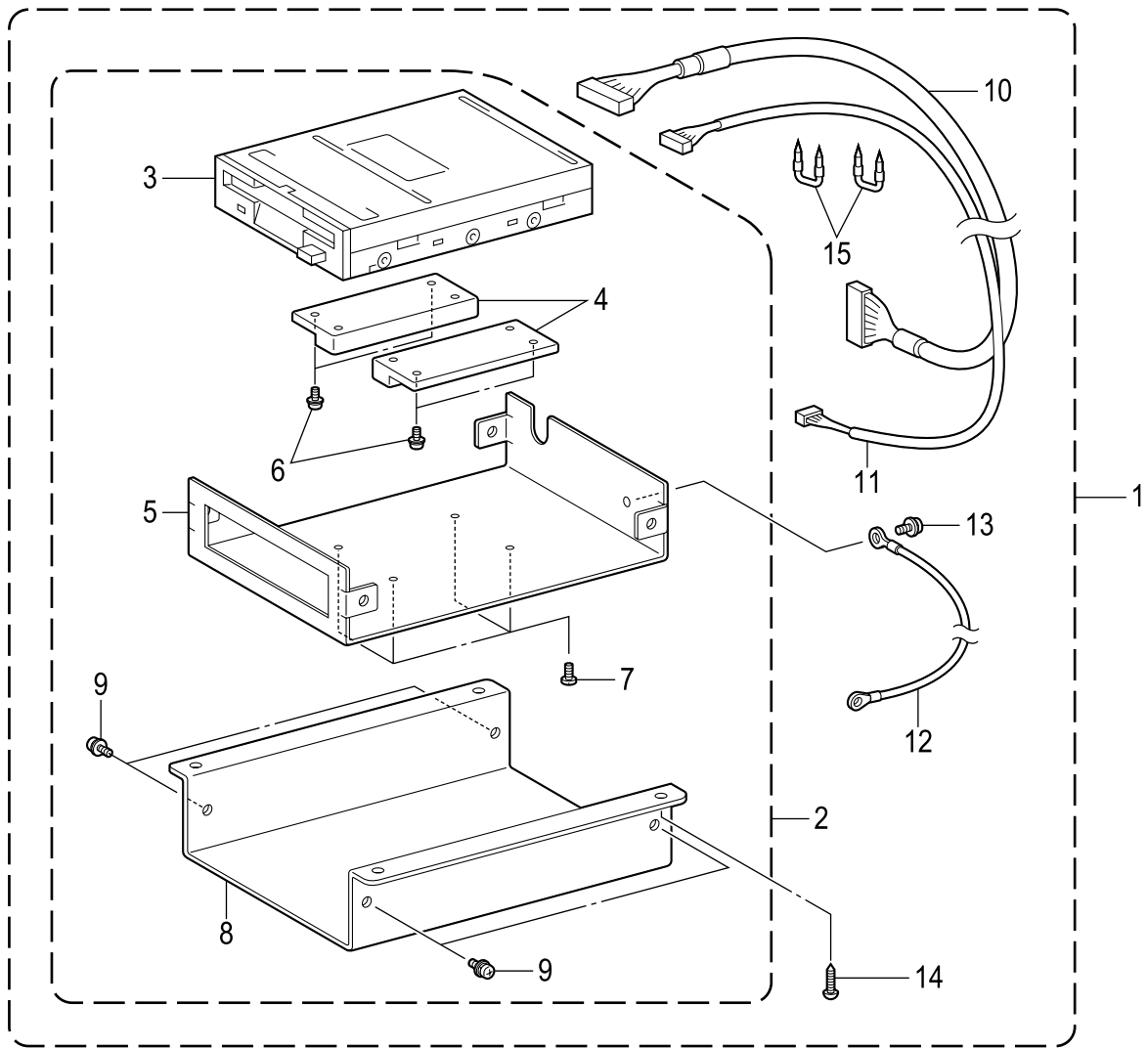
W4 . 附属装置 (选配件) / Attachment set (Option parts)



W4. 附属装置(选购件)/ Attachment set (Option parts)

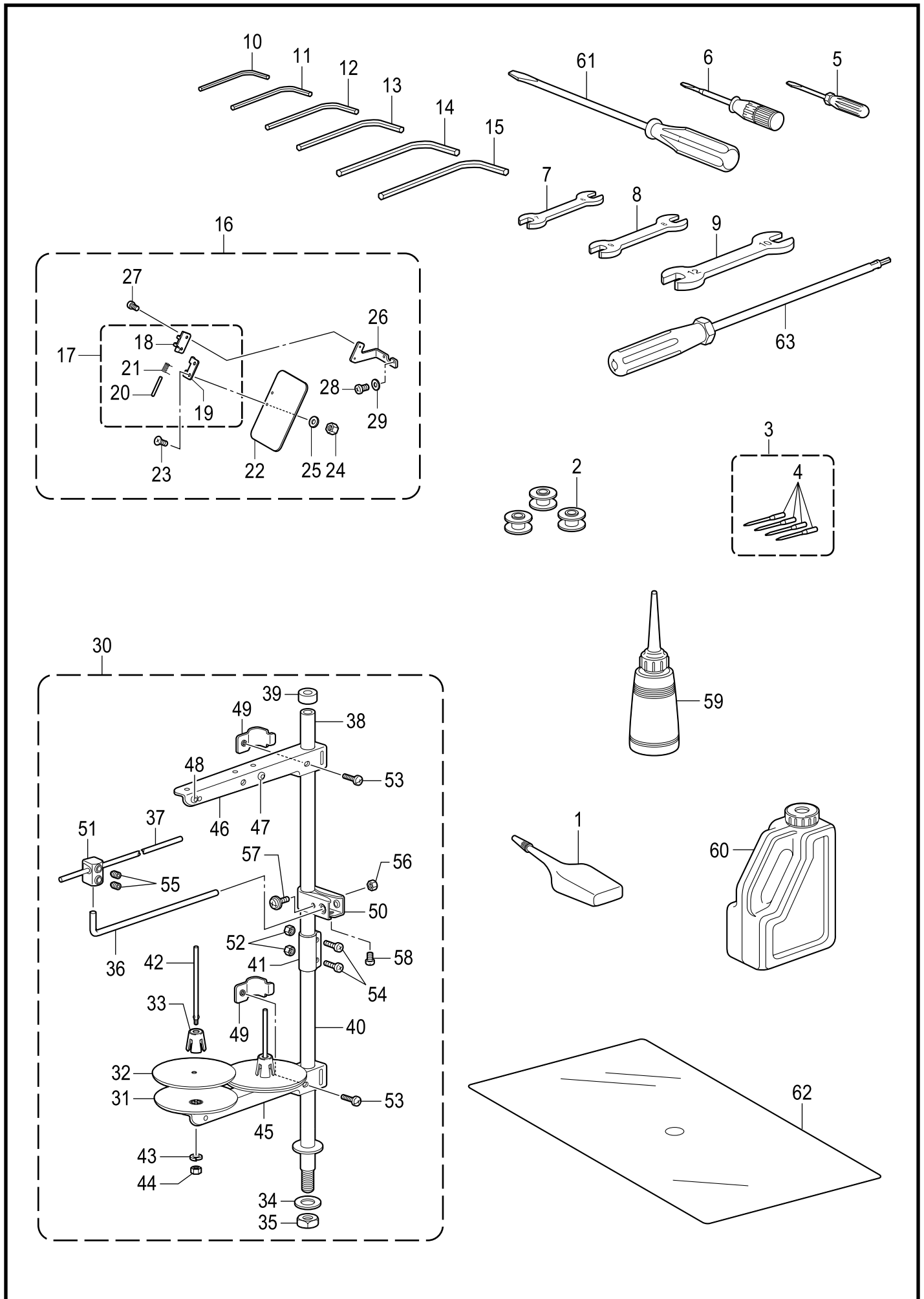
参照号	零部件序号	数量	零部件名称	NAME OF PARTS	RM
1	CSA5193101	1	<用于欧洲以外> 断线传感装置组件 F	<Except for Europe> TR-BREAKAGE DETECTOR SET F	
1	CSA51931E1	1	<用于欧洲> 断线传感装置组件 F	<For Europe only> TR-BREAKAGE DETECTOR SET F	
2	CSA4816001	1	信号放大器 FX311	FIBER AMP FX311	
3	CSA4817001	1	电缆线组件	AMP CABLE ASSY	
4	CSA4818001	1	放大器安装支架	DIN METAL FITTING	
5	C062300616	2	螺钉 M3X6	SCREW PAN M3X6	
6	CSA4819001	1	光导纤维传感器 FDFM2	FIBER FDFM2	
7	CSA5194001	1	传感器安装板	SENSOR SETTING PLATE	
8	C062500616	1	螺钉 M5X6	SCREW PAN M5X6	
9	C625010000	1	尼龙夹 NK-2N	NYLON CLAMP NK-2N	
10	COA5401006	1	螺栓(带垫圈) M4X10DB	SCREW PAN (S/P WASHER) M4X10	

W5 . 附属装置 (选配件) / Attachment set (Option parts)



W5. 附属装置(选购件)/ Attachment set (Option parts)







参照号	零部件序号	数量	零部件名称	NAME OF PARTS	RM
			<用于欧洲以外>	<Except for Europe>	
1	CSA5201001	1	FDD大组件	FDD SET	
2	CSA5202001	1	FDD复合件	FDD UNIT ASSY	
3	CSA6628101	1	FDD	FDD	
4	CS43225000	2	FDD隔离板	SPACER, FDD	
5	CSA5203001	1	FDD机座板	FDD BASE PLATE	
6	C0A4300605	4	螺栓(带垫圈) M3X6DA	SCREW PAN (S/P WASHER) M3X6	
7	C037300816	4	螺销 M3X8	TAPPING SCREW PAN V M3X8	
8	CSA5204001	1	FDD盖	FDD COVER	
9	C0A4300805	4	螺栓(带垫圈) M3X8DA	SCREW PAN (S/P WASHER) M3X8	
10	CSA5205001	1	FDD接线	FDD HARNESS	
11	CSA5206001	1	FDD电源线	FDD POWER HARNESS	
12	CSA5134001	1	接地线	GROUND WIRE	
13	C0A4300805	1	螺栓(带垫圈) M3X8DA	SCREW PAN (S/P WASHER) M3X8	
14	C032421302	4	木螺钉 M4.1X13	WOOD SCREW ROUND 2 M4.1X13	
15	C200190001	2	U形卡钉	STAPLE 10X20	
			<用于欧洲>	<For Europe only>	
1	CSA52010E1	1	FDD大组件	FDD SET	
2	CSA52020E1	1	FDD复合件	FDD UNIT ASSY	
3	CSA6628101	1	FDD	FDD	
4	CS43225000	2	FDD隔离板	SPACER, FDD	
5	CSA5203001	1	FDD机座板	FDD BASE PLATE	
6	C0A4300605	4	螺栓(带垫圈) M3X6DA	SCREW PAN (S/P WASHER) M3X6	
7	C037300816	4	螺销 M3X8	TAPPING SCREW PAN V M3X8	
8	CSA5204001	1	FDD盖	FDD COVER	
9	C0A4300805	4	螺栓(带垫圈) M3X8DA	SCREW PAN (S/P WASHER) M3X8	
10	CSA5205001	1	FDD接线	FDD HARNESS	
11	CSA5206001	1	FDD电源线	FDD POWER HARNESS	
12	CSA5134001	1	接地线	GROUND WIRE	
13	C0A4300805	1	螺栓(带垫圈) M3X8DA	SCREW PAN (S/P WASHER) M3X8	
14	C032421302	4	木螺钉 M4.1X13	WOOD SCREW ROUND 2 M4.1X13	
15	C200190001	2	U形卡钉	STAPLE 10X20	
			<用于欧洲以外>	<Except for Europe>	
16	CSA6495001	1	3连脚踏开关组件	3-PEDAL FOOT SW ASSY	
17	CS38170001	3	弹簧	FOOT PEDAL SPRING	
18	CS38174000	3	脚踏板	FOOT PEDAL	
19	CS38175101	3	脚踏护板	PROTECTION PLATE PEDAL	
20	CS38176101	3	弹簧板	SPRING, PLATE	
21	CS36260000	1	开关 VX	MICRO SWITCH: VX-01-1A3	
			<用于欧洲>	<For Europe only>	
16	CSA64950E1	1	3连脚踏开关组件	3-PEDAL FOOT SW ASSY	
17	CS38170001	3	弹簧	FOOT PEDAL SPRING	
18	CS38174000	3	脚踏板	FOOT PEDAL	
19	CS38175101	3	脚踏护板	PROTECTION PLATE PEDAL	
20	CS38176101	3	弹簧板	SPRING, PLATE	
21	CS36260000	1	开关 VX	MICRO SWITCH: VX-01-1A3	



Z. 附件 / Accessories

参照号	零部件序号	数量	零部件名称	NAME OF PARTS	RM
1	CS06706001	1	硅油	SILICONE OIL	
2	CS44633001	3	梭芯 LAN	BOBBIN LAN	
3	CSA1645019	1	机针组 145646	NEEDLE 4PIECE ASSY, 145646	
4	C145646019	4	机针 DPX17	NEEDLE, DPX17	
5	C142443001	1	小起子 1.9X52	SCREW-DRIVER, 1.9X52	
6	C118837001	1	起子 3.4X70	SCREW-DRIVER, 3.4X70	
7	C107779001	1	扳手 6X7	WRENCH, 6X7	
8	C100887001	1	双头扳手 8X9	WRENCH, 8X9	
9	C107780001	1	扳手 10X12	WRENCH, 10X12	
10	CS07783001	1	内六角扳手 1.5	HEXAGONAL WRENCH, 1.5	
11	C142002001	1	内六角扳手 2	HEXAGONAL WRENCH, 2	
12	C154125001	1	内六角扳手 2.5	HEXAGONAL WRENCH, 2.5	
13	C142721001	1	内六角扳手 3	HEXAGONAL WRENCH, 3	
14	C118064001	1	内六角扳手 4	HEXAGONAL WRENCH, 4	
15	C150335001	1	内六角扳手 5	HEXAGONAL WRENCH, 5	
16	CSA4103001	1	护眼板组件 D	EYE GUARD SET D	
17	CS44483001	1	铰链组件	HINGE ASSY	
18	CS44484001	1	护眼板铰链	EYE GUARD HINGE	
19	CS37619001	1	铰链板	HINGE	
20	C119255000	1	销	PIN	
21	CS37113001	1	弹簧	EYE GUARD SPRING	
22	CS44485001	1	护眼板	EYE GUARD	
23	C061300813	2	螺钉 M3X8	SCREW FLAT M3X8	
24	C021300103	2	螺母 M3	NUT, 1 M3	
25	C026030233	2	垫圈 M3	WASHER PLAIN M 3	
26	CSA4104001	1	护眼板架 A	EYE GUARD HOLDER, A	
27	C062300503	2	螺钉 M3X5	SCREW, PAN M3X5	
28	C062400616	2	螺钉 M4X6	SCREW PAN M4X6	
29	C026040136	2	平垫圈 S4	WASHER PLAIN S 4	
30	CS40574309	1	线架组件 2DTHF	COTTON STAND ASSY 2DTHF	
31	CS51283001	2	垫圈	SPOOL STAND BASE	
32	C150182000	2	线盘软垫	SPOOL MAT	
33	CS51282101	2	线轴缓冲架	SPOOL CUSHION	
34	C150206002	1	平垫圈 16	WASHER PLAIN 16	
35	CSA6629001	1	螺母 M16	NUT M16	
36	CS04109001	1	过线杆支杆	THREAD GUIDE SUPPORT BAR	
37	C142997001	1	过线杆 3	THREAD GUIDE, 3	
38	C150172003	1	线架支撑管	COLUMN PIPE	
39	C150174000	1	线架支撑管套	COLUMN CAP	
40	C156112003	1	线架撑管 D	COLUMN PIPE D	
41	CSA6606001	1	线架管接头	COLUMN JOINT	
42	C150179002	2	线轴 B	SPOOL SHAFT B	
43	C028050244	2	弹簧垫圈 2-5	WASHER SPRING 2-5	
44	C021500104	2	螺母 M5	NUT 1 M5	
45	CSA6607001	1	过线架 2	SPOOL HOLDER 2	
46	CSA6607001	1	过线架 2	SPOOL HOLDER 2	
47	C150183000	2	过线管套	THREAD HANGER BASE	
48	C142990001	2	过线架上过线管	THREAD BUSH	
49	CSA6609001	2	过线架定位	SPOOL HOLDER SUPPORTER	
50	CSA6615001	1	线导向架	THREAD GUIDE HOLDER	
51	C138843001	1	连接器	JOINT	
52	C021500104	2	螺母 M5	NUT 1 M5	
53	C062061604	2	螺钉 M6X16	SCREW PAN M6X16	
54	C062501404	2	螺钉 M5X14	SCREW PAN M5X14	
55	C014060632	2	固定螺钉 M6X6	SET SCREW SOCKET (CP) M6X6	
56	C021500104	1	螺母 M5	NUT 1 M5	
57	CS37037001	1	螺钉 M5X32	SCREW PAN (S/P WASHER) M5X32	
58	C062061004	1	螺钉 M6X10	SCREW PAN M6X10	
59	C114483002	1	油壶组件	OILER ASSY	
60	CS55663001	1	油罐组件	OIL TANK ASSY	
61	C101572102	1	起子 5.5X190	SCREW-DRIVER 5.5X190	
62	CSA8855001	1	辅助针板薄片	AUXILIARY PLATE SEET	
63	C149173001	1	六角杆起子 3	SCREW-DRIVER, HEXAGONAL 3	

Wa. 警告标签 / Warning labels

警告标签 / Warning labels	零部件名称 / Name of parts	尺寸 / Size(mm)	零部件序号 / Code
	<p>感电标签 (6国) Label, elec. shock 6 lang</p>	50 X 118	CJ04115-001
	<p>操作注意标签 (日 / 英) Label, caution Jpn / Eng</p>	52 X 84	CSA0792-001
	<p>操作注意标签 (中 / 英) Label, caution Chn / Eng</p>	52 X 84	CSA0793-001
	<p>警告标记 Mark, injury</p>	L=25 R=1.2	CS36924-002
	<p>接地标记 Label, grounding</p>	φ 12	CS37060-001
	<p>PE标记 Label, PE</p>	7.5 X 12.5	CS37059-001











Ap . 不同用途零部件一览表 / Parts list sorted by application

CSM-3020G 还预备了下列零部件，请在各种领域中使用。

◎表中的零部件是与CSM-1310G/2210G(直接驱动式程序电脑花式机)通用的。

The following parts are available for the CSM-3020G to enable use for a wide range of applications.

◎The parts in the table are common to the CSM-1310G and CSM-2210G (Direct drive programmable electronic pattern sewers) .

名称 Part name	用途 Use	厚布料 Heavy-weight materials	中厚布料 Medium-weight materials	安全气囊 Airbag
(J-66) 针孔板 Needle hole plate		(ϕ 2.4) CSA3336-101	(ϕ 2.2) CSA5221-001	(ϕ 3.0) CSA5222-101
(E-47) 梭芯套组件 Bobbin case assy		CS59221-201 < LC >		CS59222-201 < LD >
(E-48) 夹线簧 Tension spring		CS48664-001 < AN >		CS16075-101 < B >
(E-49) 螺钉 Screw		CS16492-101		
(E-50) 防空转弹簧 Anti-spin spring		CS15667-001		
(E-51) 梭芯 Bobbin		CS44633-001 < LAN >		CS15666-001 < LB >
(E-52) 中旋梭组件 Shuttle hook assy, w/box		CSA8197-101 < LH >	CSA2173-301 < LF >	CSA8197-101 < LH >
(E-46) 外旋梭 Shuttle race base		C152686-201 < B >	C152682-201 < A >	C152686-201 < B >
(G-12) 调节弹簧 Spring, tension		C107606-101	C104525-101	C107606-101
(G-8) 挑线弹簧 Thread take-up spring		C144588-301	C145519-301	C144588-301







Ap . 不同用途零部件一览表 / Parts list sorted by application

CSM-3020G 还预备了下列零部件，请在各种领域中使用。

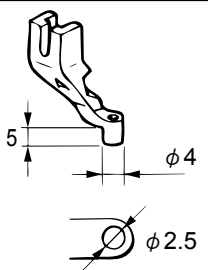
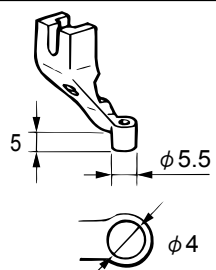
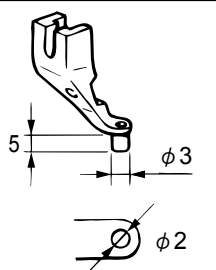
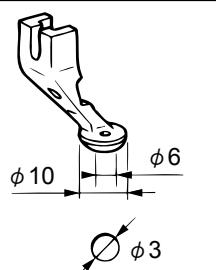
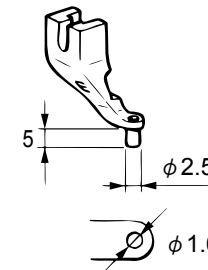
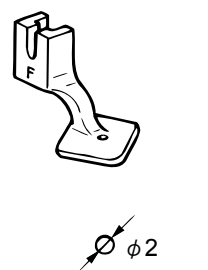
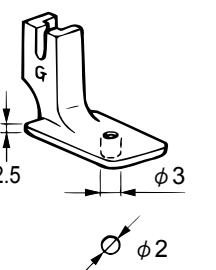
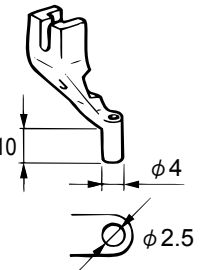
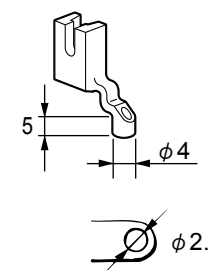
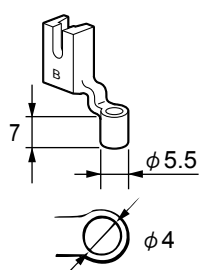
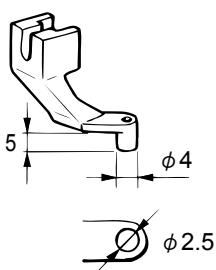
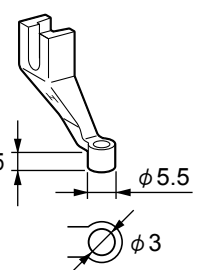
◎表中的零部件是与CSM-1310G/2210G(直接驱动式程序电脑花式机)通用的。

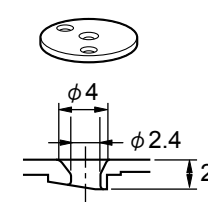
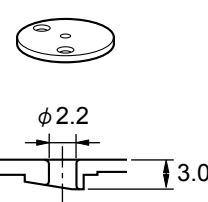
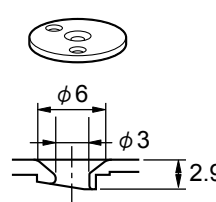
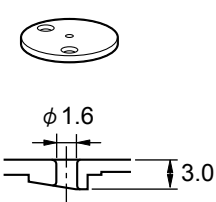
The following parts are available for the CSM-3020G to enable use for a wide range of applications.

◎The parts in the table are common to the CSM-1310G and CSM-2210G (Direct drive programmable electronic pattern sewers).

名称 Part name	用途 Use	厚布料 Heavy-weight materials	中厚布料 Medium-weight materials	安全气囊 Airbag
(G-21) 弹簧 Spring, tension		CSA4146-101		CSA3416-101
(W1-30) 调节弹簧垫圈 Washer		—		CS20681-000
(G-25) 针杆线导向 Needle bar thread guide	 A  B	CSA3257-101 < A >		CSA4815-101 < B >
(Z-3) 机针组件(4支装) Needle assy		☆ CSA1645-019	☆ CSA1752-016	☆ CSA1645-025
(B-32, Z-4) 机针 Needle		☆ DP X 17 <#19 > C145646-019	☆ DP X 5 <#16 > C107415-016	☆ DP X 17 <#25 > C145646-025
(D1-61) 压脚 Presser foot		☆ CS42843-001 < A >		☆ CS42844-001 < B >

Ga . 工模具一览表 / Gauge parts list

压脚 / Presser foot			
A / CS42843-001 *	B / CS42844-001	C / CS42845-001	D / CS42846-001
			
E / CS42847-001	F / C157237-001	G / C158592-001	J / CS42848-001
			
A-CUT / CS40214-001	B-L / CS49448-001	XA / CS42849-101	H / CSA4811-001
			

针孔板 / Needle hole plate			
2.4 C0.4 / CSA3336-101 *	2.2 / CSA5221-001	3.0 C1.5 / CSA5222-101	1.6 / CSA7191-001
			

印有 * 记号的为标准零部件

The * symbol is for Standard parts.

索引 / Index

CODE	REF.NO	Page	CODE	REF.NO	Page	CODE	REF.NO	Page	CODE	REF.NO	Page				
C004300513	A1	-17	2	C017401015	W2	-21	6	C021500106	R	-17	48	C062060816	F	-21	22
C012060536	B	-33	80	C017401415	L	-53	6	C025030236	J	-65	32	C062061004	Z	-58	68
	D1	-59	16	C018061236	D2	-28	18		J	-70	32	C062061016	A1	-14	2
	E	-6	20	C018064031	A2	-23	6	C025040236	D2	-12	18		F	-3	22
C012060636	A1	-39	20	C18066036	C1	-17	10		F	-74	24		H	-38	28
	A2	-2	6	C018081636	R	-9	48		K	-11	34	C062061604	Z	-53	68
	A2	-11	6	C018087036	A2	-7	6		M1	-18	38	C062061616	A1	-44	2
	A2	-26	6		A2	-13	6	C025050236	L	-13	36	C062300416	C1	-36	10
	B	-24	8	C018300536	C1	-4	10		R	-15	48		D1	-20	16
	B	-49	8		C1	-8	10		U	-23	54		J	-64	32
	C2	-12	12	C018300836	C3	-36	14	C025050336	R	-16	48		J	-71	32
	C2	-15	12	C018301036	C1	-10	10	C025080132	A2	-29	6	C062300503	Z	-27	68
	C2	-26	12	C018302036	W1	-11	58	C025080236	U	-19	54	C062300506	A1	-20	2
	C2	-28	12	C018400636	D2	-17	18	C025350332	A1	-30	2	C062300616	E	-29	20
	C2	-40	12		F	-7	22	C026030136	E	-28	20		K	-7	34
	C2	-47	12		R	-8	48	C026030233	Z	-25	68		W4	-5	64
	C3	-10	14	C018400836	C1	-2	10	C026040136	F	-24	22	C062300816	Q	-6	46
	C3	-14	14		C1	-6	10		Z	-29	68	C062350616	H	-8	28
	D1	-14	16		C2	-50	12	C026040236	J	-7	30		W3	-7	62
	D1	-24	16		D1	-52	16		L	-4	36	C062400616	D1	-6	16
	D1	-30	16		K	-10	34		W2	-20	60		D2	-11	18
	D1	-36	16	C018401036	C1	-19	10	C028030246	J	-69	32		D2	-30	18
	D2	-7	18		C1	-26	10	C028040246	F	-75	24		F	-4	22
	D2	-15	18		D2	-5	18		J	-6	30		F	-8	22
	D2	-19	18	C018401236	C1	-12	10		L	-3	36		F	-23	22
	D2	-25	18	C018401636	B	-27	8		W2	-19	60		Z	-28	68
	D2	-27	18	C018402036	E	-12	20	C028050244	Z	-43	68	C062400816	B	-22	8
	E	-9	20		F	-72	24	C028050246	J	-50	30		B	-35	8
	E	-16	20	C018402536	D1	-64	16		P	-22	44		C2	-33	12
	E	-18	20	C018501036	D2	-31	8	C028060246	A2	-20	6		W3	-16	62
	G	-28	26	C018501236	C1	-14	10	C028080246	A2	-8	6	C062401006	A1	-23	2
	J	-46	30		E	-43	20		A2	-14	6		B	-47	8
	J	-54	30		J	-49	30		U	-5	54	C062401016	B	-52	8
C012061036	E	-20	20	C018501636	B	-3	8		U	-15	54		C1	-37	10
	E	-41	20		B	-50	8		U	-20	54	C062401216	H	-13	28
C012400436	D1	-25	16		C2	-38	12		U	-26	54	C062500616	G	-2	26
	D1	-31	16		C2	-45	12	C032361306	A2	-4	6		G	-4	26
	H	-17	28	C018503036	P	-23	44		U	-29	54		G	-6	26
	H	-24	28	C021060106	A2	-21	6	C032421302	W5	-14	66		H	-30	28
	J	-9	30		A2	-24	6	C032422003	P	-27	44		W4	-8	64
C012500536	B	-21	8		D1	-10	16		P	-30	44	C062500816	C3	-37	14
	B	-37	8		D1	-50	16	C037300816	W5	-7	66	C062501404	Z	-54	68
	B	-44	8		J	-23	30	C037521016	U	-22	54	C062670412	G	-31	26
	C2	-5	12		J	-34	30	C039411215	U	-34	54	C070696800	D2	-22	18
	C2	-21	12		J	-40	30	C047401242	B	-42	8	C076202850	C2	-16	12
	D2	-24	18	C021060206	C3	-25	14	C048030342	C3	-30	14		C2	-30	12
	E	-14	20	C021060306	D1	-41	16		K	-20	34	C081003670	E	-22	20
	E	-45	20		J	-25	30	C048040342	C3	-17	14	C081007070	L	-17	36
	H	-3	28		J	-32	30		J	-20	30	C0A4300605	W5	-6	66
	H	-36	28		J	-42	30		K	-13	34	C0A4300606	K	-8	34
C013679412	W2	-11	60		W2	-8	60		L	-12	36	C0A4300805	W5	-9	66
C014060632	Z	-55	68	C021080106	U	-25	54	C048050342	H	-10	28		W5	-13	66
C016061031	D2	-14	18	C021160303	U	-9	54		H	-19	28	C0A5401005	P	-8	44
C017061213	D1	-12	16	C021300103	A1	-21	2	C048060142	C3	-20	14	C0A5401006	A1	-42	2
C017061612	D1	-48	16		Z	-24	68		W2	-13	60		A1	-46	2
C017065002	D1	-49	16	C021400106	M1	-17	38	C048060342	A2	-30	6		A1	-48	2
C017080006	U	-14	54	C021400206	A1	-56	2	C048080142	C3	-12	14		A1	-50	2
C017081606	U	-4	54	C021400306	G	-24	26		D1	-29	16		A1	-52	2
	U	-18	54		L	-6	36		J	-45	30		C1	-39	10
	W1	-22	58		W2	-22	60	C048100142	D2	-10	18		F	-28	22
C017400802	J	-5	30	C021500104	Z	-44	68	C048150142	C2	-10	12		F	-30	22
	L	-2	36		Z	-52	68	C060400516	K	-22	34		F	-33	22
	W2	-18	60		Z	-56	68	C061300813	Z	-23	68		F	-66	24

CODE	REF.NO	Page	CODE	REF.NO	Page	CODE	REF.NO	Page	CODE	REF.NO	Page				
C0A5401006	F	-67	24	C144588301	G	-8	26	C213650001	A2	-9	6	CS12150000	W1	-12	58
	Q	-44	6		Ap		70		A2	-15	6	CS12441001	G	-11	26
	Q	-15	46	C145446001	G	-14	26		A2	-19	6		H	-35	28
	Q	-17	46		G	-22	26	C218859001	Q	-31	46	CS12699000	G	-18	26
	Q	-23	46		W2	-6	60		W2	-28	60	CS13399001	D1	-62	16
	Q	-24	46	C145446002	H	-32	28	C222372001	U	-24	54	CS15031008	W1	-23	58
	Q	-30	46	C145465001	B	-23	8	C228475000	P	-9	44	CS15031010	W3	-8	62
	W1	-26	58	C145519301	W2	-29	60	C231071001	J	-27	30		W3	-17	62
	W3	-12	62		Ap		70	C525567000	F	-27	22	CS15158009	U	-31	54
	W3	-21	62	C145547001	F	-22	22		F	-29	22	CS15666001	Ap		70
	W4	-10	64	C145646019	B	-32	8		Q	-1	46	CS15667001	E	-50	20
C0A5402005	A1	-33	2		Z	-4	68	C525664000	P	-6	44		Ap		70
	A1	-36	2		Ap		71		W3	-11	62	CS16075101	Ap		70
C0A5403006	Q	-27	46	C145646025	Ap		71	C525907000	W1	-27	58	CS16492101	E	-49	20
C100136001	G	-20	26	C146058001	W1	-18	58		W3	-22	62		Ap		70
C100360003	J	-67	32	C146059001	W1	-17	58		F	-31	22	CS17942100	W3	-2	62
C100401022	H	-33	28	C146060000	W1	-16	58		W3	-13	62	CS17974101	A2	-27	6
C100402004	G	-16	26	C146206009	W1	-19	58	C554482000	F	-32	22	CS17975100	A2	-28	6
C100887001	Z	-8	68	C146288001	K	-23	34		P	-29	44	CS18027201	W3	-15	62
C101073001	U	-30	54	C146354002	C3	-16	14		Q	-28	46	CS20164001	A1	-3	2
C101121100	U	-28	54		J	-51	30	C623033000	D1	-4	16		A1	-4	2
C101572102	Z	-61	68	C148847001	P	-28	44	C625010000	Q	-3	46	CS20681000	W1	-30	58
C102707002	L	-7	36	C149097000	K	-17	34		W4	-9	64		Ap		71
	W2	-23	60	C149173001	Z	-63	68	CJ04115001	M1	-10	38	CS23418002	H	-15	28
C104449001	A1	-9	2	C149547000	P	-7	44		Wa		69	CS23651001	B	-8	8
	A1	-12	2		Q	-2	46	CJ80991001	S	-1	50		B	-11	8
C104450101	A1	-5	2		Q	-16	46	CS00470000	Q	-29	46		B	-14	8
	F	-59	22	C149796001	P	-25	44	CS00480000	W1	-25	58		B	-17	8
C104525101	Ap		70	C150172003	Z	-38	68	CS00705001	J	-61	30		B	-45	8
C104567101	F	-10	22	C150174000	Z	-39	68	CS02429201	E	-24	20		D1	-5	16
C104821001	A1	-2	2	C150179002	Z	-42	68	CS02652001	J	-11	30		D1	-15	16
C107415016	Ap		71	C150182000	Z	-32	68	CS02739000	U	-33	54		E	-8	20
C107606101	G	-12	26	C150183000	Z	-47	68	CS02740000	U	-32	54		H	-40	28
	Ap		70	C150206002	Z	-34	68	CS03677001	K	-24	34		J	-2	30
C107779001	Z	-7	68	C150335001	Z	-15	68	CS04109001	Z	-36	68		J	-26	30
C107780001	Z	-9	68	C150592001	A1	-8	2	CS04159000	D1	-46	16	CS25235001	B	-15	8
C109763001	D2	-23	18	C152393200	U	-8	54		F	-73	24	CS25279101	K	-15	34
C110367001	B	-18	8	C152682201	Ap		70		J	-12	30	CS25310101	D1	-37	16
	C3	-11	14	C152684101	E	-27	20		L	-10	36		J	-72	32
C110735001	K	-19	34	C152686201	E	-46	20		L	-18	36	CS25454001	K	-14	34
C111466121	D1	-60	16		Ap		70		Q	-14	46	CS25456001	K	-4	34
C114483002	Z	-59	68	C152881001	G	-27	26		Q	-32	46	CS25475101	C3	-24	14
C114486002	A2	-32	6	C152883000	G	-29	26		W2	-26	60		J	-33	30
C117934001	H	-41	28	C152884001	G	-30	26		W2	-30	60	CS31032001	G	-10	26
C117936001	A1	-6	2	C152936001	H	-6	28	CS04891000	P	-17	44		H	-34	28
C118064001	Z	-14	68	C152937001	H	-7	28	CS04897000	W3	-18	62	CS31778000	W3	-6	62
C118837001	Z	-6	68	C152948001	F	-11	22	CS06706001	Z	-1	68	CS32462001	J	-24	30
C119255000	Z	-20	68	C153049001	G	-7	26	CS07350002	A1	-27	2		J	-31	30
C119702004	U	-27	54	C153050000	E	-30	20	CS07783001	Z	-10	68		J	-41	30
C120265002	A1	-26	2	C153252000	P	-16	44	CS09043000	F	-16	22	CS32465101	J	-22	30
C120448001	H	-23	28	C153274001	P	-20	44	CS09225001	U	-13	54		J	-39	30
C133172003	U	-21	54	C154125001	Z	-12	68	CS09226001	U	-16	54	CS34533001	W1	-13	58
C138843001	Z	-51	68	C154596000	J	-30	30	CS09228000	P	-15	44	CS34534101	W1	-14	58
C141362001	D1	-34	16	C154599000	J	-10	30	CS09312001	U	-6	54	CS34706000	W1	-10	58
C142002001	Z	-11	68		L	-8	36	CS09317109	U	-12	54	CS36260000	T	-4	52
C142211001	B	-25	8	C155510001	W1	-15	58	CS10112101	D1	-56	16		W5	-21	66
C142274101	F	-42	22	C156112003	Z	-40	68	CS10243000	W3	-20	62	CS36475000	A1	-28	2
C142443001	Z	-5	68	C157237001	Ga		72	CS10268001	H	-27	28	CS36924002	A1	-66	4
C142721001	Z	-13	68	C158592001	Ga		72	CS10408000	R	-10	48		Wa		69
C142990001	Z	-48	68	C159486001	H	-9	28	CS10438001	H	-18	28	CS37037001	Z	-57	68
C142997001	Z	-37	68		H	-25	28	CS10470201	K	-21	34	CS37059001	M1	-11	38
C144458001	B	-29	8	C159805001	G	-13	26	CS10661109	U	-7	54		Wa		69
C144504001	W1	-20	58	C200190001	W5	-15	66	CS11531009	U	-17	54	CS37060001	A1	-68	4

索引 / Index

CODE	REF.NO	Page	CODE	REF.NO	Page	CODE	REF.NO	Page	CODE	REF.NO	Page				
CS37060001	M1	-12	38	CS53982000	W1	-4	58	CSA3283101	E	-44	20	CSA3808101	M1	-2	38
	Wa		69	CS53983000	P	-32	44	CSA3284101	E	-42	20	CSA3827001	N	-8	42
CS37113001	Z	-2	68	CS55479001	C3	-8	14	CSA3290001	H	-2	28	CSA3828001	N	-10	42
CS37619001	Z	-19	68	CS55481001	A1	-61	2	CSA3291001	H	-4	28	CSA3831001	R	-2	48
CS38168001	T	-2	52		C1	-21	10	CSA3293001	H	-11	28	CSA3833201	R	-3	48
CS38170001	T	-3	52		C3	-39	14	CSA3294001	H	-14	28	CSA3838001	N	-11	42
	W5	-17	66	CS55484002	J	-13	30	CSA3295001	H	-16	28	CSA3946001	F	-64	24
CS38174000	T	-5	52	CS55485001	C3	-22	14	CSA3296001	H	-21	28	CSA4103001	Z	-16	68
	W5	-18	66		C3	-35	14	CSA3297001	H	-22	28	CSA4104001	Z	-26	68
CS38175001	T	-6	52		K	-26	34	CSA3298001	H	-28	28	CSA4143001	G	-17	26
CS38175101	W5	-19	66	CS55487001	C3	-42	14	CSA3299001	H	-29	28	CSA4146101	G	-21	26
CS38176101	T	-7	52	CS55533000	W3	-3	62	CSA3301101	J	-1	30		Ap		71
	W5	-20	66	CS55663001	Z	-60	68	CSA3306001	A1	-25	2	CSA4171001	H	-5	28
CS38265000	F	-41	22	CS59221201	E	-47	20		J	-15	30	CSA4172001	B	-4	8
CS38266000	F	-69	24		Ap		70		L	-16	36	CSA4173001	B	-4	8
CS38713100	B	-34	8	CS59222201	Ap		70	CSA3307001	J	-8	30	CSA4174001	B	-4	8
CS39116100	P	-12	44	CSA0792001	A1	-67	4	CSA3309101	J	-16	30	CSA4175001	B	-4	8
	W1	-3	58		Wa		69	CSA3310001	J	-17	30	CSA4177001	B	-10	8
	W1	-7	58	CSA0793001	A1	-67	4	CSA3311001	J	-18	30	CSA4178001	B	-13	8
CS40214001	Ga		72		Wa		69	CSA3312201	J	-28	30	CSA4179001	B	-6	8
CS40574309	Z	-30	68	CSA1174001	D1	-53	16	CSA3313101	J	-29	30	CSA4180001	B	-7	8
CS41205001	K	-3	34	CSA1175001	D1	-54	16	CSA3315001	J	-21	30	CSA4199001	E	-25	20
CS41206001	K	-2	34	CSA1283001	C2	-3	12	CSA3317001	J	-36	30	CSA4302001	D1	-9	16
CS42446001	A1	-65	4		C2	-19	12	CSA3319101	J	-43	30	CSA4333001	G	-3	26
CS42843001	D1	-61	16	CSA1359001	H	-37	28	CSA3321001	J	-48	30	CSA4354001	J	-56	30
	Ap		71	CSA1645019	Z	-3	68	CSA3334001	J	-62	30	CSA4518001	J	-59	30
	Ga		72		Ap		71	CSA3336101	J	-66	32	CSA4519001	J	-60	30
CS42844001	Ap		71	CSA1645025	Ap		71		Ap		70	CSA4545001	J	-44	30
	Ga		72	CSA1752016	Ap		71		Ga		72	CSA4546001	J	-35	30
CS42845001	Ga		72	CSA1984001	H	-12	28	CSA3345001	W2	-25	60	CSA4563101	R	-4	48
CS42846001	Ga		72	CSA1988001	H	-26	28	CSA3347001	L	-11	36	CSA4574001	V	-8	56
CS42847001	Ga		72	CSA1994101	H	-31	28	CSA3348001	L	-14	36	CSA4596001	A1	-1	2
CS42848001	Ga		72	CSA2161001	D1	-28	16	CSA3349001	L	-15	36	CSA4600001	A1	-11	2
CS42849101	Ga		72	CSA2173301	Ap		70	CSA3387001	A2	-18	6	CSA4601001	A1	-13	2
CS43225000	W5	-4	66	CSA2195001	D1	-58	16	CSA3416101	W1	-28	58	CSA4603101	A1	-15	2
CS43236009	R	-11	48	CSA2287001	K	-16	34		Ap		71	CSA4604001	A1	-24	2
CS43674000	R	-12	48	CSA2929001	F	-68	24	CSA3441001	D2	-21	18	CSA4608101	B	-12	8
CS43675000	R	-13	48	CSA2958001	B	-20	8	CSA3486001	Q	-21	46	CSA4609101	B	-16	8
CS44010001	A1	-7	2	CSA3040001	F	-57	22	CSA3499001	B	-2	8	CSA4622001	B	-28	8
CS44483001	Z	-17	68	CSA3055101	F	-60	22	CSA3528001	B	-26	8	CSA4624001	B	-43	8
CS44484001	Z	-18	68		F	-70	24	CSA3538001	C1	-23	10	CSA4626101	B	-38	8
CS44485001	Z	-22	68	CSA3060001	F	-56	22		C1	-29	10	CSA4627001	B	-39	8
CS44633001	E	-51	20	CSA3200101	A1	-22	2		J	-73	32	CSA4628101	B	-40	8
	Z	-2	68	CSA3206001	B	-5	8	CSA3581001	M1	-13	38	CSA4629001	B	-41	8
	Ap		70		B	-9	8	CSA3638001	W2	-7	60	CSA4630001	B	-46	8
CS44924001	E	-38	20	CSA3224001	B	-31	8	CSA3722001	M1	-7	38	CSA4647001	D2	-9	18
CS46903001	J	-19	30	CSA3226001	E	-1	20	CSA3744001	M1	-6	38	CSA4650001	F	-71	24
CS47269001	C2	-48	12	CSA3227001	D1	-42	16	CSA3762001	M2	-5	40	CSA4666001	B	-30	8
CS47270001	C2	-8	12		E	-2	20	CSA3765001	M2	-2	40	CSA4676101	A1	-57	2
	C2	-34	12	CSA3228101	E	-3	20	CSA3767001	M2	-4	40	CSA4677101	A1	-55	2
	C2	-41	12	CSA3231001	E	-5	20	CSA3768001	M2	-6	40	CSA4709001	C3	-23	14
CS47307001	E	-40	20	CSA3238101	E	-21	20	CSA3769001	M2	-7	40	CSA4720001	C3	-18	14
CS48140002	W1	-29	58	CSA3241001	E	-26	20	CSA3770001	M2	-8	40	CSA4721001	C3	-19	14
CS48189000	F	-18	22	CSA3244001	F	-1	22	CSA3771001	M2	-9	40	CSA4741101	D2	-1	18
CS48664001	E	-48	20	CSA3250001	G	-1	26	CSA3788001	M1	-16	38	CSA4742001	D2	-2	18
	Ap		70	CSA3254001	G	-15	26	CSA3789101	N	-4	42	CSA4743001	D2	-6	18
CS49448001	Ga		72	CSA3255001	G	-9	26		N	-6	42	CSA4744001	D2	-8	18
CS49484000	M1	-8	38	CSA3256001	G	-19	26		N	-9	42	CSA4745001	D2	-13	18
CS49982000	F	-17	22	CSA3257101	G	-25	26	CSA3794001	M2	-10	40	CSA4747001	D2	-16	18
CS51282101	Z	-33	68		Ap		71	CSA3795001	M2	-11	40	CSA4748101	D2	-18	18
CS51283001	Z	-31	68	CSA3258001	G	-26	26	CSA3796001	M1	-14	38	CSA4753001	D2	-29	18
CS52163000	M1	-15	38	CSA3264001	A1	-18	2	CSA3797001	M1	-3	38	CSA4757101	D2	-26	18
CS53978000	P	-31	44	CS A3274101	E	-39	20	CSA3806001	M1	-93	8	CSA4759001	D1	-1	16

CODE	REF.NO	Page	CODE	REF.NO	Page	CODE	REF.NO	Page	CODE	REF.NO	Page				
CSA4760001	D1	-2	16	CSA5201001	W5	-1	66	CSA6573001	P	-19	44	CSA8538001	C2	-37	12
CSA4761001	D1	-7	16	CSA52010E1	W5	-1	66	CSA6576001	F	-40	22	CSA8542001	C2	-44	12
CSA4762001	D1	-8	16	CSA5202001	W5	-2	66	CSA6578001	F	-15	22	CSA8548101	A1	-10	2
CSA4763001	D1	-3	16	CSA52020E1	W5	-2	66	CSA6593001	F	-37	22	CSA8549001	A1	-37	2
CSA4764001	D1	-11	16	CSA5203001	W5	-5	66	CSA6596001	J	-58	30	CSA8550001	A1	-38	2
CSA4765001	D1	-13	16	CSA5204001	W5	-8	66	CSA6606001	Z	-41	68		A2	-10	6
CSA4766001	D1	-16	16	CSA5205001	W5	-10	66	CSA6607001	Z	-45	68	CSA8551001	A1	-40	2
CSA4767001	D1	-17	16	CSA5206001	W5	-11	66		Z	-46	68	CSA8552001	A1	-41	2
CSA4768001	D1	-18	16	CSA5208001	K	-1	34	CSA6609001	Z	-49	68	CSA8553001	A1	-43	2
CSA4769101	D1	-19	16	CSA5213001	K	-25	34	CSA6615001	Z	-50	68	CSA8555001	A1	-47	2
CSA4770001	D1	-21	16	CSA5217001	K	-5	34	CSA6628101	W5	-3	66	CSA8556001	A1	-49	2
CSA4771001	C3	-9	14	CSA5218001	K	-9	34	CSA6629001	Z	-35	68	CSA8557001	A1	-51	2
	D1	-27	16	CSA5219001	K	-18	34	CSA6674001	C2	-13	12	CSA8559001	A1	-53	2
CSA4772001	D1	-22	16	CSA5221001	Ap	70	70		C2	-29	12	CSA8560001	A1	-54	2
CSA4773001	D1	-23	16		Ga	72	72	CSA7155001	W1	-24	58	CSA8561001	A1	-58	2
CSA4777001	D1	-26	16	CSA5222101	Ap	70	70		W3	-10	62	CSA8562001	A1	-59	2
CSA4778001	D1	-51	16		Ga	72	72		W3	-19	62	CSA8563001	A1	-60	2
CSA4779001	D1	-32	16	CSA5230001	B	-51	8	CSA7163001	W3	-4	62	CSA8564001	A1	-62	2
CSA4780001	D1	-35	16	CSA5251001	A2	-22	6	CSA7164001	W3	-5	62	CSA8565101	B	-1	8
CSA4781001	D1	-33	16	CSA5281101	P	-10	44	CSA7166101	W1	-5	58	CSA8566001	C1	-1	10
CSA4782001	E	-4	20	CSA5282001	P	-14	44	CSA7167101	W1	-8	58	CSA8567001	C1	-3	10
CSA4785101	F	-2	22	CSA5283001	P	-13	44	CSA7171001	W1	-6	58	CSA8568001	C1	-5	10
CSA4786101	F	-5	22	CSA5285001	P	-18	44	CSA71710E1	W1	-6	58	CSA8569101	C1	-7	10
CSA4787001	F	-34	22	CSA5286101	P	-21	44	CSA7191001	Ga	72	72	CSA8571001	C1	-9	10
CSA4788001	F	-36	22	CSA5289001	P	-11	44	CSA7197001	W1	-9	58	CSA8574001	C1	-13	10
CSA4789101	F	-20	22	CSA5290001	W1	-2	58	CSA7199001	W1	-21	58	CSA8575001	C1	-15	10
CSA4796001	H	-20	28	CSA5294001	F	-35	22	CSA7293001	Q	-13	46	CSA8576001	C1	-16	10
CSA4797101	H	-39	28	CSA5300001	D1	-55	16	CSA74521E0	W1	-7	58	CSA8578001	C2	-1	12
CSA4798001	J	-3	30	CSA5301001	D1	-57	16	CSA74700E1	W3	-2	62	CSA8579001	C2	-2	12
CSA4799001	J	-14	30	CSA5331001	W2	-15	60	CSA7500001	W1	-1	58		C2	-18	12
CSA4806001	K	-6	34	CSA5339101	F	-19	22	CSA75000E1	W1	-1	58	CSA8582001	C2	-4	12
CSA4811001	Ga		72	CSA5415001	C3	-49	14	CSA7508001	W2	-27	60		C2	-20	12
CSA4815101	Ap		71	CSA5433001	Q	-22	46	CSA7509101	W2	-2	60	CSA8583001	C2	-6	12
CSA4816001	W4	-2	64	CSA5436201	W2	-1	60	CSA7510001	W2	-4	60		C2	-22	12
CSA4817001	W4	-3	64	CSA54362E1	W2	-1	60	CSA7511001	W2	-9	60	CSA8584001	C2	-7	12
CSA4818001	W4	-4	64	CSA5559101	W3	-14	62	CSA7512001	W2	-14	60	CSA8585001	C2	-9	12
CSA4819001	W4	-6	64	CSA5575101	W3	-1	62	CSA7513001	W2	-3	60	CSA8586001	C2	-11	12
CSA4826501	D2	-4	18	CSA55751E1	W3	-1	62	CSA75390E1	W1	-2	58	CSA8587001	C2	-14	12
CSA4829001	W2	-17	60	CSA5730101	Q	-9	46	CSA75410E1	W2	-15	60		C2	-27	12
CSA4834101	R	-1	48	CSA5731001	Q	-10	46	CSA7620101	W3	-9	62	CSA8590001	C1	-18	10
CSA4836001	R	-7	48	CSA5732101	Q	-11	46	CSA7794001	M2	-12	40		C1	-20	10
CSA4837101	R	-5	48	CSA6038001	T	-1	52	CSA7944001	J	-63	32	CSA8592001	C2	-17	12
CSA4841101	R	-6	48	CSA6087001	F	-9	22	CSA8057001	K	-12	34	CSA8593001	C2	-23	12
CSA4847001	A2	-25	6	CSA6108001	B	-36	8	CSA8197101	E	-52	20	CSA8595001	C2	-24	12
CSA4853001	D1	-39	16	CSA6182001	B	-19	8		Ap	70	70	CSA8596001	C2	-25	12
CSA4855001	L	-13	6	CSA6190001	W2	-5	60	CSA8248001	U	-2	54	CSA8597001	C2	-31	12
CSA4932001	W2	-12	60	CSA6193201	W2	-10	60	CSA8249001	U	-3	54		C3	-3	14
CSA5072001	F	-14	22	CSA6207001	A1	-19	2	CSA8250001	U	-10	54		C3	-34	14
CSA5133001	W2	-16	60	CSA6210001	D2	-20	18	CSA8251001	U	-11	54	CSA8598001	C2	-42	12
CSA5134001	W5	-12	66	CSA6272001	A1	-16	2	CSA8376001	M1	-4	38	CSA8599001	C2	-36	12
CSA5135101	J	-4	30	CSA6273101	J	-68	32	CSA8378001	M1	-5	38		C2	-43	12
CSA5157101	J	-57	30	CSA6284001	W2	-24	60	CSA8383001	M2	-1	40	CSA8601001	C2	-46	12
CSA5158101	B	-48	8	CSA6364001	M1	-1	38	CSA8384001	M2	-3	40	CSA8602001	C2	-32	12
CSA5164001	V	-1	56	CSA6366001	Q	-34	46	CSA8387001	N	-2	42	CSA8604001	C2	-35	12
CSA5165001	V	-2	56	CSA6389001	L	-9	36	CSA8521001	Q	-5	46	CSA8607001	C2	-39	12
CSA5166001	V	-3	56	CSA6391001	G	-5	26	CSA8522001	Q	-7	46	CSA8608001	C1	-22	10
CSA5167001	V	-7	56	CSA6397001	J	-62	30	CSA8523001	Q	-8	46	CSA8609001	C1	-24	10
CSA5170001	V	-4	56	CSA6398001	J	-62	32	CSA8524001	Q	-12	46	CSA8611001	C1	-25	10
CSA5172001	V	-5	56	CSA6495001	W5	-16	66	CSA8527001	Q	-19	46	CSA8612001	C1	-27	10
CSA5191001	P	-24	44	CSA64950E1	W5	-16	66	CSA8528001	Q	-20	46	CSA8615001	C1	-28	10
CSA5193101	W4	-1	64	CSA6572001	D1	-44	16	CSA8529001	L	-19	36	CSA8617001	C1	-30	10
CSA51931E1	W4	-1	64		F	-43	22	CSA8532001	Q	-25	46	CSA8619001	C1	-31	10
CSA5194001	W4	-7	64		F	-44	22	CSA8533001	Q	-26	46	CSA8622001	C1	-32	10

索引 / Index

CODE	REF.NO	Page	CODE	REF.NO	Page	CODE	REF.NO	Page	CODE	REF.NO	Page
CSA8623001	C1	-33	10	CSA8707001	E	-31	20				
CSA8624001	C1	-34	10	CSA8708001	F	-53	22				
CSA8625001	C1	-35	10	CSA8709001	E	-33	20				
CSA8626001	C1	-38	10	CSA8710001	E	-34	20				
CSA8628001	C3	-1	14	CSA8711001	E	-35	20				
CSA8629001	C3	-2	14	CSA8712101	E	-36	20				
CSA8631001	C3	-4	14	CSA8713001	E	-37	20				
CSA8632001	C3	-5	14	CSA8714001	F	-6	22				
CSA8633001	C3	-6	14	CSA8717001	F	-25	22				
CSA8634001	C3	-7	14	CSA8718001	F	-26	22				
CSA8635001	C3	-13	14	CSA8720001	F	-38	22				
CSA8636001	C3	-15	14	CSA8721001	F	-39	22				
CSA8638001	C3	-21	14	CSA8722001	F	-45	22				
CSA8640001	C3	-27	14	CSA8723001	F	-46	22				
CSA8641001	C3	-28	14	CSA8724001	F	-47	22				
CSA8642001	C3	-31	14	CSA8725001	F	-48	22				
CSA8643001	C3	-32	14	CSA8726001	F	-49	22				
CSA8644001	C3	-33	14	CSA8727001	F	-50	22				
CSA8645001	C3	-38	14	CSA8728001	F	-51	22				
CSA8646001	C3	-40	14	CSA8729001	F	-52	22				
CSA8648001	C3	-43	14	CSA8732001	F	-55	22				
CSA8650001	H	-1	28	CSA8733001	F	-58	22				
CSA8652001	J	-37	30	CSA8734001	F	-61	22				
CSA8654001	J	-38	30	CSA8735001	F	-62	22				
CSA8655001	J	-47	30	CSA8736001	F	-65	24				
CSA8656001	J	-52	30	CSA8783001	F	-12	22				
CSA8657001	J	-53	30	CSA8784001	F	-13	22				
CSA8658101	J	-55	30	CSA8785001	F	-54	22				
CSA8659001	P	-1	44	CSA8786001	F	-63	22				
CSA8659002	P	-2	44	CSA8816001	A1	-45	2				
CSA8660001	P	-3	44	CSA8818001	C3	-41	14				
CSA8660002	P	-4	44	CSA8819001	C1	-11	10				
CSA8661001	P	-5	44	CSA8820001	C3	-29	14				
CSA8664001	R	-14	48	CSA8824001	N	-1	42				
CSA8665001	A2	-3	6	CSA8825001	N	-3	42				
CSA8667001	A2	-5	6	CSA8826001	N	-7	42				
CSA8668001	A2	-1	6	CSA8827001	N	-5	42				
CSA8669001	A2	-6	6	CSA8855001	Z	-62	68				
CSA8670001	A1	-31	2	CSA8859001	C3	-45	14				
CSA8671001	A2	-12	6	CSA8860001	C3	-46	14				
CSA8672001	A1	-63	2	CSA8869001	C3	-48	14				
CSA8673001	A2	-16	6	CSA8870001	C3	-50	14				
CSA8674001	A2	-17	6	CSA8871001	C3	-47	14				
CSA8675001	A2	-31	6	CSA8879001	A1	-64	4				
CSA8679001	A1	-29	2	CSA8880001	A1	-34	2				
CSA8680001	A1	-32	2	CSA8881001	Q	-33	46				
	A1	-35	2	CSA8904001	C3	-44	14				
CSA8683001	D1	-38	16	CSA8909001	C3	-26	14				
CSA8684001	D1	-40	16	CSA8912001	D1	-45	16				
CSA8688001	D1	-43	16	CSA9004001	E	-32	20				
CSA8689001	D1	-47	16	CSA9105001	Q	-18	46				
CSA8690001	D1	-63	16	CXD1115051	V	-6	56				
CSA8691001	G	-23	26								
CSA8692001	U	-1	54								
CSA8694001	C2	-49	12								
CSA8695001	E	-7	20								
CSA8696001	E	-10	20								
CSA8697001	E	-11	20								
CSA8698001	E	-13	20								
CSA8701001	E	-15	20								
CSA8702001	E	-17	20								
CSA8703001	E	-19	20								
CSA8705001	E	-23	20								

MEMO

TC3020

DIRECT DRIVE
PROGRAMMABLE ELECTRONIC PATTERN SEWER



This machine may only be operated by adequately trained operators only after having completely read and understood the instruction manual.

Parts are subject to changes in design without prior notice.



VETRON TYPICAL EUROPE GmbH
Clara-Immerwahr-Str. 6
67661 Kaiserslautern, Germany
Tel.: +49 6301 320 75-0
Fax: +49 6301 320 75-11

info@vetrontypical.com
www.vetrontypical.com